

# P906

+135°  
-30°

PA6  
+G.F.

UL94  
HB

RoHS  
COMPLIANT

## SMALL MOUNTING FOOT WITH STEEL ARTICULATED STEM TYPE B - BALL R12.4

### Materials:

Reinforced polyamide.  
Resistant to oils and greases.

### Surface finish:

Satin.

### Colour:

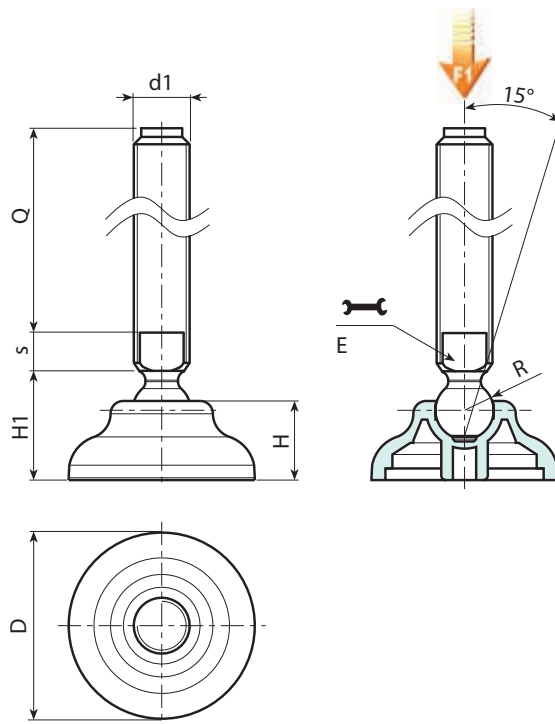
Black (RAL 9011).

### Inserts:

Galvanised steel threaded and articulated stem (ball R.12.4) with milled seat for wrench (type B) (thread tolerance 6g).

### Special requests:

- Upon request and for special quantities inserts can be supplied with customised lengths.
- Upon request and for special quantities the foot can be supplied in Orange (RAL 2004).



### Version P906: Mounting foot with stem type B (with milled seat for wrench) and ball R12.4

Code	Art.	D	H	H1	E	s	R	d1 <sub>6g</sub>	Q	$\bar{g}$	F1 (kN)
-	P90660.TM16X7001	60	20	26	13	7	12.4	M16	70	126	10
-	P90660.TM16X9001	60	20	26	13	7	12.4	M16	90	152	10
-	P90660.TM16X11001	60	20	26	13	7	12.4	M16	110	178	10
-	P90660.TM16X13001	60	20	26	13	7	12.4	M16	130	204	10
-	P90660.TM16X15001	60	20	26	13	7	12.4	M16	150	230	10
-	P90660.TM16X17001	60	20	26	13	7	12.4	M16	170	256	10

Attention: The expressed load limit F1 is lower than the break load by 30% and is intended as static.  
Customised stud length available for a minimum of 100 pieces.