

P905ESD

NEW



SMALL MOUNTING FOOT - IN ESD MATERIAL - WITH STEEL ARTICULATED STEM TYPE A - BALL 15

Materials:

Reinforced polyamide, with conductive fillers (ESD-C).
Resistant to oils and greases.

Surface finish:

Satin.

Colour:

Black (RAL 9011).

Inserts:

P905ESD:

Galvanised steel threaded and articulated stem (ball 15) with hexagonal base (thread tolerance 6g).

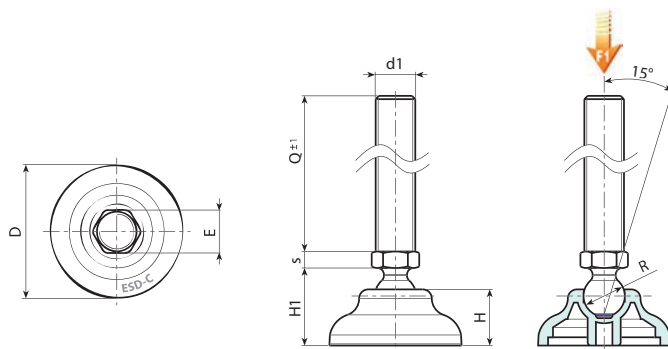
P905CINESD:

Stainless steel threaded and articulated stem (ball 15) with hexagonal base (Aisi 303) (thread tolerance 6g).

Special requests:

- Upon request and for special quantities inserts can be supplied with customised lengths.

Notes: This item is made from ESD-C (Electro Static Discharge – Conductive) material with fillers in compliance with standards EN 100015/1 and IEC 61340-5-1. The product is conductive and prevents the formation of electrostatic discharges by facilitating its grounding. A yellow pad-printed symbol (ESD-C) enables correct identification of the product. Product suitable for the production of electronic material and for use in explosive atmospheres.



Version P905ESD: Mounting foot with stem type A (with hexagonal base) and ball 15



Code	Art.	D	H	H1	E	s	R	d1 _{6g}	Q	g	F1 (kN)
-	P90540.TM12X5001ESD	40	17	23	16	6.5	15	M12	50	84	13
-	P90540.TM12X7001ESD	40	17	23	16	6.5	15	M12	70	97	13
-	P90540.TM12X9001ESD	40	17	23	16	6.5	15	M12	90	110	13
-	P90540.TM12X11001ESD	40	17	23	16	6.5	15	M12	110	123	13
-	P90540.TM14X5001ESD	40	17	23	16	6.5	15	M14	50	112	13
-	P90540.TM14X7001ESD	40	17	23	16	6.5	15	M14	70	136	13
-	P90540.TM14X9001ESD	40	17	23	16	6.5	15	M14	90	171	13
-	P90540.TM14X11001ESD	40	17	23	16	6.5	15	M14	110	184	13
-	P90540.TM14X15001ESD	40	17	23	16	6.5	15	M14	150	210	13
-	P90540.TM16X5001ESD	40	17	23	16	6.5	15	M16	50	131	13
-	P90540.TM16X7001ESD	40	17	23	16	6.5	15	M16	70	163	13
-	P90540.TM16X9001ESD	40	17	23	16	6.5	15	M16	90	195	13
-	P90540.TM16X11001ESD	40	17	23	16	6.5	15	M16	110	227	13
-	P90540.TM16X13001ESD	40	17	23	16	6.5	15	M16	130	259	13
-	P90540.TM16X15001ESD	40	17	23	16	6.5	15	M16	150	295	13
-	P90540.TM16X17001ESD	40	17	23	16	6.5	15	M16	170	323	13
-	P90540.TM16X19001ESD	40	17	23	16	6.5	15	M16	190	365	13
-	P90550.TM12X5001ESD	50	18	24	16	6.5	15	M12	50	88	13
-	P90550.TM12X7001ESD	50	18	24	16	6.5	15	M12	70	101	13
-	P90550.TM12X9001ESD	50	18	24	16	6.5	15	M12	90	114	13
-	P90550.TM12X11001ESD	50	18	24	16	6.5	15	M12	110	127	13
-	P90550.TM14X5001ESD	50	18	24	16	6.5	15	M14	50	97	13
-	P90550.TM14X7001ESD	50	18	24	16	6.5	15	M14	70	116	13
-	P90550.TM14X9001ESD	50	18	24	16	6.5	15	M14	90	134	13
-	P90550.TM14X11001ESD	50	18	24	16	6.5	15	M14	110	152	13
-	P90550.TM14X15001ESD	50	18	24	16	6.5	15	M14	150	189	13
-	P90550.TM16X5001ESD	50	18	24	16	6.5	15	M16	50	110	13

P905ESD

NEW



SMALL MOUNTING FOOT - IN ESD MATERIAL - WITH STEEL ARTICULATED STEM TYPE A - BALL 15

Code	Art.	D	H	H1	E	s	R	d1 _{6g}	Q	g	F1 (kN)
-	P90550.TM16X7001ESD	50	18	24	16	6.5	15	M16	70	137	13
-	P90550.TM16X9001ESD	50	18	24	16	6.5	15	M16	90	164	13
-	P90550.TM16X11001ESD	50	18	24	16	6.5	15	M16	110	191	13
-	P90550.TM16X13001ESD	50	18	24	16	6.5	15	M16	130	218	13
-	P90550.TM16X15001ESD	50	18	24	16	6.5	15	M16	150	245	13
-	P90550.TM16X17001ESD	50	18	24	16	6.5	15	M16	170	272	13
-	P90550.TM16X19001ESD	50	18	24	16	6.5	15	M16	190	299	13
-	P90560.TM12X5001ESD	60	20	26	16	6.5	15	M12	50	96	13
-	P90560.TM12X7001ESD	60	20	26	16	6.5	15	M12	70	109	13
-	P90560.TM12X9001ESD	60	20	26	16	6.5	15	M12	90	122	13
-	P90560.TM12X11001ESD	60	20	26	16	6.5	15	M12	110	135	13
-	P90560.TM14X5001ESD	60	20	26	16	6.5	15	M14	50	105	13
-	P90560.TM14X7001ESD	60	20	26	16	6.5	15	M14	70	124	13
-	P90560.TM14X9001ESD	60	20	26	16	6.5	15	M14	90	142	13
-	P90560.TM14X11001ESD	60	20	26	16	6.5	15	M14	110	160	13
-	P90560.TM14X15001ESD	60	20	26	16	6.5	15	M14	150	197	13
-	P90560.TM16X5001ESD	60	20	26	16	6.5	15	M16	50	118	13
-	P90560.TM16X7001ESD	60	20	26	16	6.5	15	M16	70	145	13
-	P90560.TM16X9001ESD	60	20	26	16	6.5	15	M16	90	172	13
-	P90560.TM16X11001ESD	60	20	26	16	6.5	15	M16	110	199	13
-	P90560.TM16X13001ESD	60	20	26	16	6.5	15	M16	130	226	13
-	P90560.TM16X15001ESD	60	20	26	16	6.5	15	M16	150	253	13
-	P90560.TM16X17001ESD	60	20	26	16	6.5	15	M16	170	280	13
-	P90560.TM16X19001ESD	60	20	26	16	6.5	15	M16	190	307	13

Attention: The expressed load limit F1 is lower than the break load by 30% and is intended as static. Customised stud length available for a minimum of 100 pieces.

Version P905CINESD: Mounting foot with stem type A (with hexagonal base) and ball 15 - stainless steel

INOX



Code	Art.	D	H	H1	E	s	R	d1 _{6g}	Q	g	F1 (kN)
-	P90540.TM12X7001CINESD	40	17	23	16	6.5	15	M12	70	97	13
-	P90540.TM12X9001CINESD	40	17	23	16	6.5	15	M12	90	110	13
-	P90540.TM12X11001CINESD	40	17	23	16	6.5	15	M12	110	121	13
-	P90540.TM14X7001CINESD	40	17	23	16	6.5	15	M14	70	112	13
-	P90540.TM14X13001CINESD	40	17	23	16	6.5	15	M14	130	165	13
-	P90540.TM16X5001CINESD	40	17	23	16	6.5	15	M16	50	106	13
-	P90540.TM16X7001CINESD	40	17	23	16	6.5	15	M16	70	133	13
-	P90540.TM16X9001CINESD	40	17	23	16	6.5	15	M16	90	160	13
-	P90540.TM16X11001CINESD	40	17	23	16	6.5	15	M16	110	187	13
-	P90540.TM16X13001CINESD	40	17	23	16	6.5	15	M16	130	211	13
-	P90540.TM16X15001CINESD	40	17	23	16	6.5	15	M16	150	240	13
-	P90540.TM16X17001CINESD	40	17	23	16	6.5	15	M16	170	268	13
-	P90540.TM16X19001CINESD	40	17	23	16	6.5	15	M16	190	295	13
-	P90550.TM12X7001CINESD	50	18	24	16	6.5	15	M12	70	101	13
-	P90550.TM12X9001CINESD	50	18	24	16	6.5	15	M12	90	114	13
-	P90550.TM12X11001CINESD	50	18	24	16	6.5	15	M12	110	125	13
-	P90550.TM14X7001CINESD	50	18	24	16	6.5	15	M14	70	116	13
-	P90550.TM14X13001CINESD	50	18	24	16	6.5	15	M14	130	170	13
-	P90550.TM16X5001CINESD	50	18	24	16	6.5	15	M16	50	110	13
-	P90550.TM16X7001CINESD	50	18	24	16	6.5	15	M16	70	137	13
-	P90550.TM16X9001CINESD	50	18	24	16	6.5	15	M16	90	164	13
-	P90550.TM16X11001CINESD	50	18	24	16	6.5	15	M16	110	191	13
-	P90550.TM16X13001CINESD	50	18	24	16	6.5	15	M16	130	215	13
-	P90550.TM16X15001CINESD	50	18	24	16	6.5	15	M16	150	245	13
-	P90550.TM16X17001CINESD	50	18	24	16	6.5	15	M16	170	272	13
-	P90550.TM16X19001CINESD	50	18	24	16	6.5	15	M16	190	299	13
-	P90560.TM12X7001CINESD	60	20	26	16	6.5	15	M12	70	109	13
-	P90560.TM12X9001CINESD	60	20	26	16	6.5	15	M12	90	122	13
-	P90560.TM12X11001CINESD	60	20	26	16	6.5	15	M12	110	133	13
-	P90560.TM14X7001CINESD	60	20	26	16	6.5	15	M14	70	124	13
-	P90560.TM14X13001CINESD	60	20	26	16	6.5	15	M14	130	178	13
-	P90560.TM16X5001CINESD	60	20	26	16	6.5	15	M16	50	118	13
-	P90560.TM16X7001CINESD	60	20	26	16	6.5	15	M16	70	145	13
-	P90560.TM16X9001CINESD	60	20	26	16	6.5	15	M16	90	172	13
-	P90560.TM16X11001CINESD	60	20	26	16	6.5	15	M16	110	199	13
-	P90560.TM16X13001CINESD	60	20	26	16	6.5	15	M16	130	226	13
-	P90560.TM16X15001CINESD	60	20	26	16	6.5	15	M16	150	253	13
-	P90560.TM16X17001CINESD	60	20	26	16	6.5	15	M16	170	280	13
-	P90560.TM16X19001CINESD	60	20	26	16	6.5	15	M16	190	307	13

Attention: The expressed load limit F1 is lower than the break load by 30% and is intended as static. Customised stud length available for a minimum of 100 pieces.