

P903



MOUNTING FOOT WITH GROUND FIXING AND STEEL ARTICULATED STEM TYPE A - BALL R15 AND NON-SLIP BASE

Materials:

Reinforced polyamide. Resistant to oils and greases.

Surface finish:

Satin.

Colour:

Black (RAL 9011).

Inserts:

P903:
Galvanised steel threaded and articulated stem (ball R.15) with hexagonal base (thread tolerance 6g).

P903CIN:

Stainless steel threaded and articulated stem (ball R.15) with hexagonal base (Aisi 303) (thread tolerance 6g).

Non-slip base:

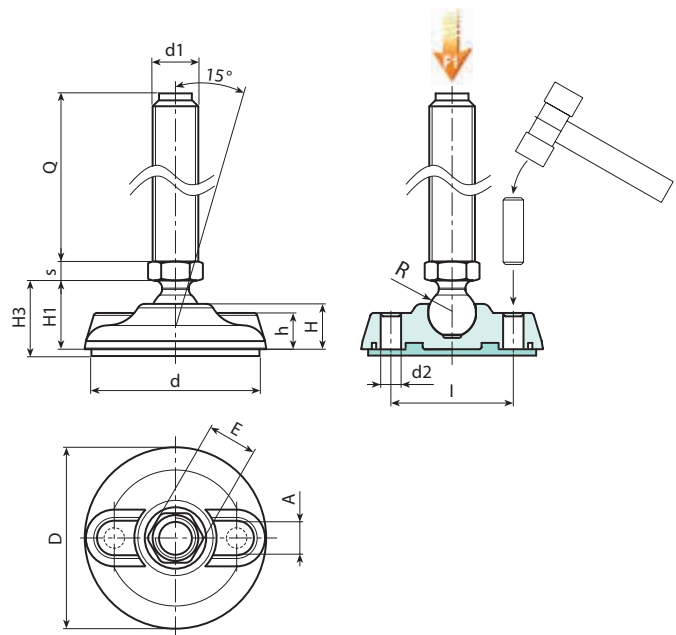
Non-slip base in thermoplastic rubber SBS 75 Shore, black RAL 9011. Resistant to oils and greases. Push-fit assembly.

Ground fixing:

The mounting foot is supplied with closed holes for anchoring to the ground. To open them pierce the plastic membrane (see drawing).

Special requests:

- Upon request and for special quantities inserts can be supplied with customised lengths.
- Upon request and for special quantities the foot can be supplied in Orange (RAL 2004).



Version P903: Mounting foot with stem type A (with hexagonal base) and ball R15 - with SBS non-slip base

Code	Art.	D	H	I	H1	H3	h	A	E	s	d2	d	R	d1 _{6g}	Q	g	F1 (kN)
-	P903080.TM12X5001	80	20	54	25.5	28.5	16	20	16	6.5	9	75	15	M12	50	142	13
-	P903080.TM12X7001	80	20	54	25.5	28.5	16	20	16	6.5	9	75	15	M12	70	155	13
-	P903080.TM12X9001	80	20	54	25.5	28.5	16	20	16	6.5	9	75	15	M12	90	168	13
-	P903080.TM12X11001	80	20	54	25.5	28.5	16	20	16	6.5	9	75	15	M12	110	181	13
-	P903080.TM14X5001	80	20	54	25.5	28.5	16	20	16	6.5	9	75	15	M14	50	151	13
-	P903080.TM14X7001	80	20	54	25.5	28.5	16	20	16	6.5	9	75	15	M14	70	170	13
-	P903080.TM14X9001	80	20	54	25.5	28.5	16	20	16	6.5	9	75	15	M14	90	188	13
-	P903080.TM14X11001	80	20	54	25.5	28.5	16	20	16	6.5	9	75	15	M14	110	206	13
-	P903080.TM14X15001	80	20	54	25.5	28.5	16	20	16	6.5	9	75	15	M14	150	242	13
-	P903080.TM16X5001	80	20	54	25.5	28.5	16	20	16	6.5	9	75	15	M16	50	164	13
-	P903080.TM16X7001	80	20	54	25.5	28.5	16	20	16	6.5	9	75	15	M16	70	191	13
-	P903080.TM16X9001	80	20	54	25.5	28.5	16	20	16	6.5	9	75	15	M16	90	218	13
-	P903080.TM16X11001	80	20	54	25.5	28.5	16	20	16	6.5	9	75	15	M16	110	245	13
-	P903080.TM16X13001	80	20	54	25.5	28.5	16	20	16	6.5	9	75	15	M16	130	272	13
-	P903080.TM16X15001	80	20	54	25.5	28.5	16	20	16	6.5	9	75	15	M16	150	299	13
-	P903080.TM16X17001	80	20	54	25.5	28.5	16	20	16	6.5	9	75	15	M16	170	326	13
-	P903080.TM16X19001	80	20	54	25.5	28.5	16	20	16	6.5	9	75	15	M16	190	353	13
-	P903105.TM12X5001	105	22	74	28	32	18.5	21	16	6.5	11	101	15	M12	50	236	15
-	P903105.TM12X7001	105	22	74	28	32	18.5	21	16	6.5	11	101	15	M12	70	249	15
-	P903105.TM12X9001	105	22	74	28	32	18.5	21	16	6.5	11	101	15	M12	90	262	15
-	P903105.TM12X11001	105	22	74	28	32	18.5	21	16	6.5	11	101	15	M12	110	275	15
-	P903105.TM14X5001	105	22	74	28	32	18.5	21	16	6.5	11	101	15	M14	50	245	15
-	P903105.TM14X7001	105	22	74	28	32	18.5	21	16	6.5	11	101	15	M14	70	264	15
-	P903105.TM14X9001	105	22	74	28	32	18.5	21	16	6.5	11	101	15	M14	90	282	15
-	P903105.TM14X11001	105	22	74	28	32	18.5	21	16	6.5	11	101	15	M14	110	300	15
-	P903105.TM14X15001	105	22	74	28	32	18.5	21	16	6.5	11	101	15	M14	150	337	15
-	P903105.TM16X5001	105	22	74	28	32	18.5	21	16	6.5	11	101	15	M16	50	258	15

P903



MOUNTING FOOT WITH GROUND FIXING AND STEEL ARTICULATED STEM TYPE A - BALL R15 AND NON-SLIP BASE

Code	Art.	D	H	I	H1	H3	h	A	E	s	d2	d	R	d1 _{6g}	Q	g	F1 (kN)
-	P903105.TM16X11001	105	22	74	28	32	18.5	21	16	6.5	11	101	15	M16	110	339	15
-	P903105.TM16X13001	105	22	74	28	32	18.5	21	16	6.5	11	101	15	M16	130	366	15
-	P903105.TM16X15001	105	22	74	28	32	18.5	21	16	6.5	11	101	15	M16	150	393	15
-	P903105.TM16X17001	105	22	74	28	32	18.5	21	16	6.5	11	101	15	M16	170	420	15
-	P903105.TM16X19001	105	22	74	28	32	18.5	21	16	6.5	11	101	15	M16	190	447	15
-	P903130.TM12X5001	130	24	99	30	35	20	21	16	6.5	13	126	15	M12	50	346	17
-	P903130.TM12X7001	130	24	99	30	35	20	21	16	6.5	13	126	15	M12	70	359	17
-	P903130.TM12X9001	130	24	99	30	35	20	21	16	6.5	13	126	15	M12	90	372	17
-	P903130.TM12X11001	130	24	99	30	35	20	21	16	6.5	13	126	15	M12	110	385	17
-	P903130.TM14X5001	130	24	99	30	35	20	21	16	6.5	13	126	15	M14	50	356	17
-	P903130.TM14X7001	130	24	99	30	35	20	21	16	6.5	13	126	15	M14	70	375	17
-	P903130.TM14X9001	130	24	99	30	35	20	21	16	6.5	13	126	15	M14	90	393	17
-	P903130.TM14X11001	130	24	99	30	35	20	21	16	6.5	13	126	15	M14	110	411	17
-	P903130.TM14X15001	130	24	99	30	35	20	21	16	6.5	13	126	15	M14	150	447	17
-	P903130.TM16X5001	130	24	99	30	35	20	21	16	6.5	13	126	15	M16	50	368	17
-	P903130.TM16X7001	130	24	99	30	35	20	21	16	6.5	13	126	15	M16	70	395	17
-	P903130.TM16X9001	130	24	99	30	35	20	21	16	6.5	13	126	15	M16	90	422	17
-	P903130.TM16X11001	130	24	99	30	35	20	21	16	6.5	13	126	15	M16	110	450	17
-	P903130.TM16X13001	130	24	99	30	35	20	21	16	6.5	13	126	15	M16	130	477	17
-	P903130.TM16X15001	130	24	99	30	35	20	21	16	6.5	13	126	15	M16	150	504	17
-	P903130.TM16X17001	130	24	99	30	35	20	21	16	6.5	13	126	15	M16	170	531	17
-	P903130.TM16X19001	130	24	99	30	35	20	21	16	6.5	13	126	15	M16	190	558	17

Attention: The expressed load limit F1 is lower than the break load by 30% and is intended as static.
Customised stud length available for a minimum of 100 pieces.

Version P903CIN: Mounting foot with stem type A - stainless steel - (with hexagonal base) and ball R15 - with SBS non-slip base



P

Code	Art.	D	H	I	H1	H3	h	A	E	s	d2	d	R	d1 _{6g}	Q	g	F1 (kN)
-	P903080.TM12X7001CIN	80	20	54	25.5	28.5	16	20	16	6.5	9	75	15	M12	70	155	13
-	P903080.TM12X9001CIN	80	20	54	25.5	28.5	16	20	16	6.5	9	75	15	M12	90	168	13
-	P903080.TM12X11001CIN	80	20	54	25.5	28.5	16	20	16	6.5	9	75	15	M12	110	181	13
-	P903080.TM14X7001CIN	80	20	54	25.5	28.5	16	20	16	6.5	9	75	15	M14	70	170	13
-	P903080.TM14X11001CIN	80	20	54	25.5	28.5	16	20	16	6.5	9	75	15	M14	110	206	13
-	P903080.TM14X13001CIN	80	20	54	25.5	28.5	16	20	16	6.5	9	75	15	M14	130	224	13
-	P903080.TM16X5001CIN	80	20	54	25.5	28.5	16	20	16	6.5	9	75	15	M16	50	164	13
-	P903080.TM16X7001CIN	80	20	54	25.5	28.5	16	20	16	6.5	9	75	15	M16	70	191	13
-	P903080.TM16X9001CIN	80	20	54	25.5	28.5	16	20	16	6.5	9	75	15	M16	90	218	13
-	P903080.TM16X11001CIN	80	20	54	25.5	28.5	16	20	16	6.5	9	75	15	M16	110	245	13
-	P903080.TM16X13001CIN	80	20	54	25.5	28.5	16	20	16	6.5	9	75	15	M16	130	272	13
-	P903080.TM16X15001CIN	80	20	54	25.5	28.5	16	20	16	6.5	9	75	15	M16	150	299	13
-	P903080.TM16X17001CIN	80	20	54	25.5	28.5	16	20	16	6.5	9	75	15	M16	170	326	13
-	P903080.TM16X19001CIN	80	20	54	25.5	28.5	16	20	16	6.5	9	75	15	M16	190	353	13
-	P903105.TM12X7001CIN	105	22	74	28	32	18.5	21	16	6.5	11	101	15	M12	70	249	15
-	P903105.TM12X9001CIN	105	22	74	28	32	18.5	21	16	6.5	11	101	15	M12	90	262	15
-	P903105.TM12X11001CIN	105	22	74	28	32	18.5	21	16	6.5	11	101	15	M12	110	275	15
-	P903105.TM14X7001CIN	105	22	74	28	32	18.5	21	16	6.5	11	101	15	M14	70	264	15
-	P903105.TM14X11001CIN	105	22	74	28	32	18.5	21	16	6.5	11	101	15	M14	110	300	15
-	P903105.TM14X13001CIN	105	22	74	28	32	18.5	21	16	6.5	11	101	15	M14	130	318	15
-	P903105.TM16X5001CIN	105	22	74	28	32	18.5	21	16	6.5	11	101	15	M16	50	258	15
-	P903105.TM16X7001CIN	105	22	74	28	32	18.5	21	16	6.5	11	101	15	M16	70	285	15
-	P903105.TM16X9001CIN	105	22	74	28	32	18.5	21	16	6.5	11	101	15	M16	90	312	15
-	P903105.TM16X11001CIN	105	22	74	28	32	18.5	21	16	6.5	11	101	15	M16	110	339	15
-	P903105.TM16X13001CIN	105	22	74	28	32	18.5	21	16	6.5	11	101	15	M16	130	366	15
-	P903105.TM16X15001CIN	105	22	74	28	32	18.5	21	16	6.5	11	101	15	M16	150	393	15
-	P903105.TM16X17001CIN	105	22	74	28	32	18.5	21	16	6.5	11	101	15	M16	170	420	15
-	P903105.TM16X19001CIN	105	22	74	28	32	18.5	21	16	6.5	11	101	15	M16	190	447	15
-	P903130.TM12X7001CIN	130	24	99	30	35	20	21	16	6.5	13	126	15	M12	70	359	17
-	P903130.TM12X9001CIN	130	24	99	30	35	20	21	16	6.5	13	126	15	M12	90	372	17
-	P903130.TM12X11001CIN	130	24	99	30	35	20	21	16	6.5	13	126	15	M12	110	385	17
-	P903130.TM14X7001CIN	130	24	99	30	35	20	21	16	6.5	13	126	15	M14	70	375	17
-	P903130.TM14X11001CIN	130	24	99	30	35	20	21	16	6.5	13	126	15	M14	110	411	17
-	P903130.TM14X13001CIN	130	24	99	30	35	20	21	16	6.5	13	126	15	M14	130	429	17
-	P903130.TM16X5001CIN	130	24	99	30	35	20	21	16	6.5	13	126	15	M16	50	368	17
-	P903130.TM16X7001CIN	130	24	99	30	35	20	21	16	6.5	13	126	15	M16	70	395	17
-	P903130.TM16X9001CIN	130	24	99	30	35	20	21	16	6.5	13	126	15	M16	90	422	17