

P901



SMALL MOUNTING FOOT WITH STEEL ARTICULATED STEM TYPE A - BALL 12.4 AND NON-SLIP BASE

Materials:

Reinforced polyamide.
Resistant to oils and greases.

Surface finish:

Satin.

Colour:

Black (RAL 9011).

Inserts:

Version P901:

Galvanised steel threaded and articulated stem (ball 12.4) with hexagonal base (thread tolerance 6g).

Version P901CIN:

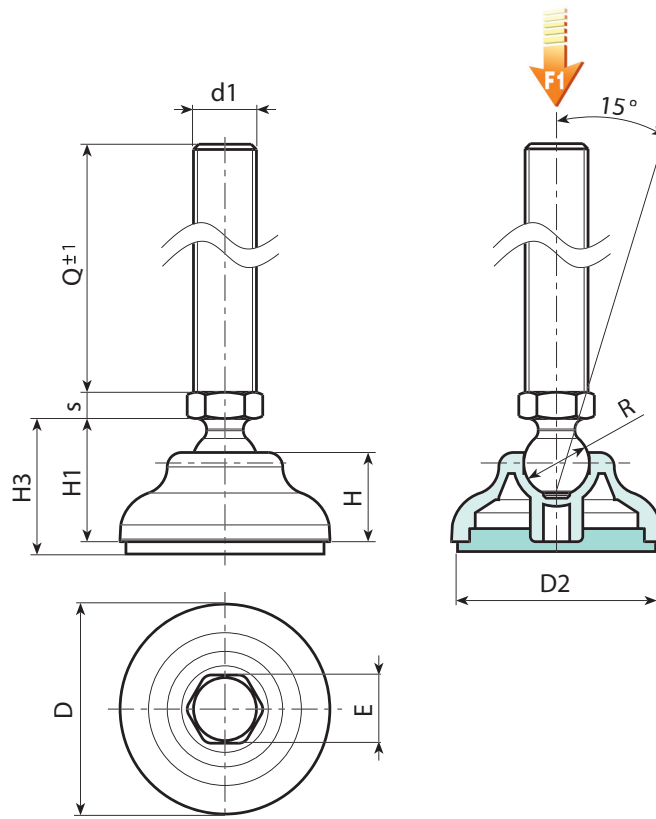
Stainless steel threaded and articulated stem (ball 12.4) with hexagonal base (Aisi 303) (thread tolerance 6g).

Non-slip base:

Non-slip base in thermoplastic rubber SBS 75 Shore, black RAL 9011.
Resistant to oils and greases.

Special requests:

- Upon request and for special quantities inserts can be supplied with customised lengths.
- Upon request and for special quantities the foot can be supplied in Orange (RAL 2004).



P901



SMALL MOUNTING FOOT WITH STEEL ARTICULATED STEM TYPE A - BALL 12.4 AND NON-SLIP BASE

Version P901: Mounting foot with stem type A (with hexagonal base) and ball 12.4 - with SBS non-slip base

Code	Art.	D	H	H1	H3	E	s	R	d1 _{6g}	Q		F1 (kN)
P90140.0004	P90140.TM08X4501	40	17	23	26	13	5	12.5	M8	45	44	10
P90140.0008	P90140.TM08X7001	40	17	23	26	13	5	12.5	M8	70	51	10
-	P90140.TM08X9001	40	17	23	26	13	5	12.5	M8	90	57	10
P90140.0015	P90140.TM10X4501	40	17	23	26	13	5	12.5	M10	45	52	10
P90140.0018	P90140.TM10X7001	40	17	23	26	13	5	12.5	M10	70	64	10
P90140.0011	P90140.TM10X10001	40	17	23	26	13	5	12.5	M10	100	79	10
P90140.0026	P90140.TM12X4501	40	17	23	26	13	5	12.5	M12	45	62	10
P90140.0029	P90140.TM12X7001	40	17	23	26	13	5	12.5	M12	70	79	10
P90140.0023	P90140.TM12X10001	40	17	23	26	13	5	12.5	M12	100	101	10
-	P90150.TM08X4501	50	18	24	29	13	5	12.5	M8	45	66	10
-	P90150.TM08X7001	50	18	24	29	13	5	12.5	M8	70	74	10
-	P90150.TM08X9001	50	18	24	29	13	5	12.5	M8	90	82	10
-	P90150.TM10X4501	50	18	24	29	13	5	12.5	M10	45	76	10
-	P90150.TM10X7001	50	18	24	29	13	5	12.5	M10	70	88	10
-	P90150.TM10X10001	50	18	24	29	13	5	12.5	M10	100	103	10
-	P90150.TM12X4501	50	18	24	29	13	5	12.5	M12	45	86	10
-	P90150.TM12X7001	50	18	24	29	13	5	12.5	M12	70	104	10
-	P90150.TM12X10001	50	18	24	29	13	5	12.5	M12	100	125	10
-	P90160.TM08X4501	60	20	26	31	13	5	12.5	M8	45	52	10
-	P90160.TM08X7001	60	20	26	31	13	5	12.5	M8	70	59	10
-	P90160.TM08X9001	60	20	26	31	13	5	12.5	M8	90	65	10
-	P90160.TM10X4501	60	20	26	31	13	5	12.5	M10	45	60	10
-	P90160.TM10X7001	60	20	26	31	13	5	12.5	M10	70	69	10
-	P90160.TM10X10001	60	20	26	31	13	5	12.5	M10	100	83	10
-	P90160.TM12X4501	60	20	26	31	13	5	12.5	M12	45	70	10
-	P90160.TM12X7001	60	20	26	31	13	5	12.5	M12	70	84	10
-	P90160.TM12X10001	60	20	26	31	13	5	12.5	M12	100	105	10

Attention: The expressed load limit F1 is lower than the break load by 30% and is intended as static. Customised stud length available for a minimum of 100 pieces.

Version P901CIN: Mounting foot with stem type A (with hexagonal base) - ball 12.4 - stainless steel - with SBS non-slip base



Code	Art.	D	H	H1	H3	E	s	R	d1 _{6g}	Q		F1 (kN)
P90140.0005	P90140.TM08X4501CIN	40	17	23	26	13	5	12.5	M8	45	40	10
P90140.0009	P90140.TM08X7001CIN	40	17	23	26	13	5	12.5	M8	70	47	10
P90140.0016	P90140.TM10X4501CIN	40	17	23	26	13	5	12.5	M10	45	48	10
P90140.0019	P90140.TM10X7001CIN	40	17	23	26	13	5	12.5	M10	70	60	10
P90140.0027	P90140.TM12X4501CIN	40	17	23	26	13	5	12.5	M12	45	58	10
P90140.0030	P90140.TM12X7001CIN	40	17	23	26	13	5	12.5	M12	70	75	10
P90140.0024	P90140.TM12X10001CIN	40	17	23	26	13	5	12.5	M12	100	97	10
-	P90150.TM08X4501CIN	50	18	24	29	13	5	12.5	M8	45	46	10
-	P90150.TM08X7001CIN	50	18	24	29	13	5	12.5	M8	70	53	10
-	P90150.TM10X4501CIN	50	18	24	29	13	5	12.5	M10	45	54	10
-	P90150.TM10X7001CIN	50	18	24	29	13	5	12.5	M10	70	63	10
-	P90150.TM12X4501CIN	50	18	24	29	13	5	12.5	M12	45	64	10
-	P90150.TM12X7001CIN	50	18	24	29	13	5	12.5	M12	70	78	10
-	P90150.TM12X10001CIN	50	18	24	29	13	5	12.5	M12	100	99	10
-	P90160.TM08X4501CIN	60	20	26	31	13	5	12.5	M8	45	58	10
-	P90160.TM08X7001CIN	60	20	26	31	13	5	12.5	M8	70	66	10
-	P90160.TM10X4501CIN	60	20	26	31	13	5	12.5	M10	45	68	10
-	P90160.TM10X7001CIN	60	20	26	31	13	5	12.5	M10	70	80	10
-	P90160.TM12X4501CIN	60	20	26	31	13	5	12.5	M12	45	78	10
-	P90160.TM12X7001CIN	60	20	26	31	13	5	12.5	M12	70	96	10
-	P90160.TM12X10001CIN	60	20	26	31	13	5	12.5	M12	100	117	10

Attention: The expressed load limit F1 is lower than the break load by 30% and is intended as static. Customised stud length available for a minimum of 100 pieces.

