

# P900ESD

NEW



## SMALL MOUNTING FOOT - IN ESD MATERIAL - WITH STEEL ARTICULATED STEM TYPE A - BALL 12.4

### Materials:

Reinforced polyamide, with conductive fillers (ESD-C).  
Resistant to oils and greases.

### Surface finish:

Satin.

### Colour:

Black (RAL 9011).

### Inserts:

#### P900ESD:

Galvanised steel threaded and articulated stem (ball 12.4) with hexagonal base (thread tolerance 6g).

#### P900CINESD:

Stainless steel threaded and articulated stem (ball 12.4) with hexagonal base (Aisi 303) (thread tolerance 6g).

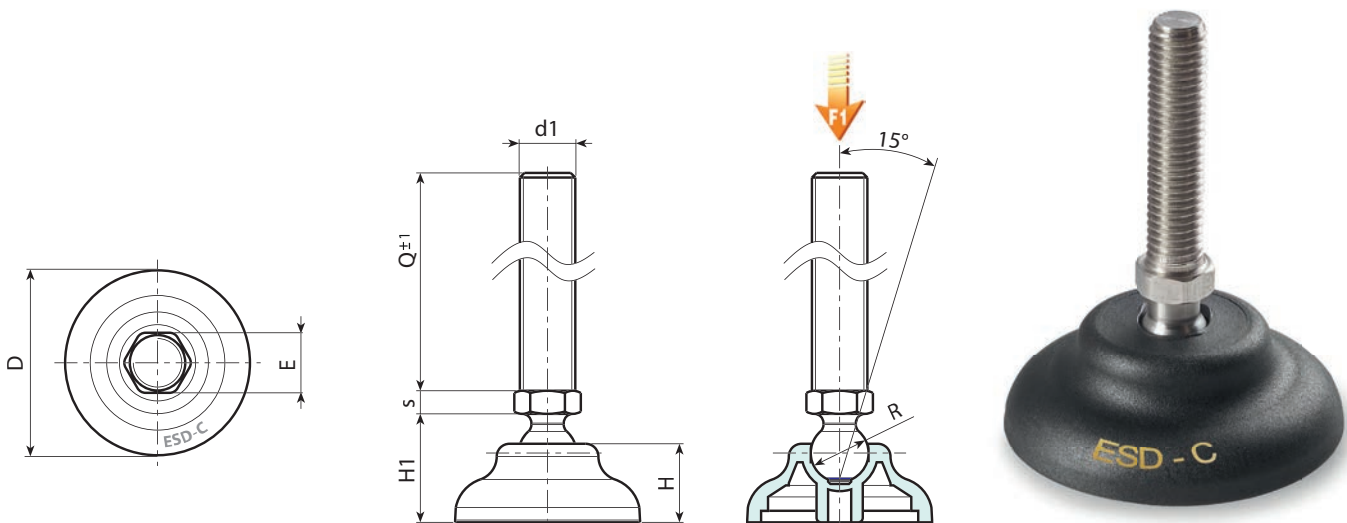
### Special requests:

- Upon request and for special quantities inserts can be supplied with customised lengths.

Notes: This item is made from ESD-C (Electro Static Discharge - Conductive) material with fillers in compliance with standards EN 100015/1 and IEC 61340-5-1. The product is conductive and prevents the formation of electrostatic discharges by facilitating its grounding. A yellow pad-printed symbol (ESD-C) enables correct identification of the product. Product suitable for the production of electronic material and for use in explosive atmospheres.



16

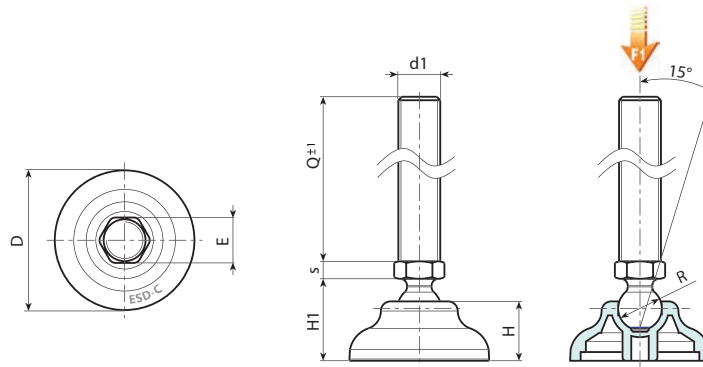


# P900ESD

**NEW**



## SMALL MOUNTING FOOT - IN ESD MATERIAL - WITH STEEL ARTICULATED STEM TYPE A - BALL 12.4



Version P900ESD: Mounting foot with stem type A (with hexagonal base) and ball 12.4



Code	Art.	D	H	H1	E	s	R	d1 <sub>6g</sub>	Q	g	F1 (kN)
-	P90040.TM08X4501ESD	40	17	23	13	5	12.4	M8	45	40	10
-	P90040.TM08X7001ESD	40	17	23	13	5	12.4	M8	70	47	10
-	P90040.TM10X4501ESD	40	17	23	13	5	12.4	M10	45	48	10
-	P90040.TM10X7001ESD	40	17	23	13	5	12.4	M10	70	60	10
-	P90040.TM10X10001ESD	40	17	23	13	5	12.4	M10	100	75	10
-	P90040.TM12X4501ESD	40	17	23	13	5	12.4	M12	45	58	10
-	P90040.TM12X7001ESD	40	17	23	13	5	12.4	M12	70	75	10
-	P90040.TM12X10001ESD	40	17	23	13	5	12.4	M12	100	97	10
-	P90050.TM08X4501ESD	50	18	24	13	5	12.4	M8	45	46	10
-	P90050.TM08X7001ESD	50	18	24	13	5	12.4	M8	70	53	10
-	P90050.TM10X4501ESD	50	18	24	13	5	12.4	M10	45	54	10
-	P90050.TM10X7001ESD	50	18	24	13	5	12.4	M10	70	63	10
-	P90050.TM10X10001ESD	50	18	24	13	5	12.4	M10	100	77	10
-	P90050.TM12X4501ESD	50	18	24	13	5	12.4	M12	45	64	10
-	P90050.TM12X7001ESD	50	18	24	13	5	12.4	M12	70	78	10
-	P90050.TM12X10001ESD	50	18	24	13	5	12.4	M12	100	99	10
-	P90060.TM08X4501ESD	60	20	26	13	5	12.4	M8	45	58	10
-	P90060.TM08X7001ESD	60	20	26	13	5	12.4	M8	70	66	10
-	P90060.TM10X4501ESD	60	20	26	13	5	12.4	M10	45	68	10
-	P90060.TM10X7001ESD	60	20	26	13	5	12.4	M10	70	80	10
-	P90060.TM10X10001ESD	60	20	26	13	5	12.4	M10	100	95	10
-	P90060.TM12X4501ESD	60	20	26	13	5	12.4	M12	45	78	10
-	P90060.TM12X7001ESD	60	20	26	13	5	12.4	M12	70	96	10
-	P90060.TM12X10001ESD	60	20	26	13	5	12.4	M12	100	117	10

Attention: The expressed load limit F1 is lower than the break load by 30% and is intended as static. Customised stud length available for a minimum of 100 pieces.

Version P900CINESD: Mounting foot with stem type A (with hexagonal base) and ball 12.4 - stainless steel

**INOX**



Code	Art.	D	H	H1	E	s	R	d1 <sub>6g</sub>	Q	g	F1 (kN)
-	P90040.TM08X4501CINESD	40	17	23	13	5	12.4	M8	45	40	10
-	P90040.TM08X7001CINESD	40	17	23	13	5	12.4	M8	70	47	10
-	P90040.TM10X4501CINESD	40	17	23	13	5	12.4	M10	45	48	10
-	P90040.TM10X7001CINESD	40	17	23	13	5	12.4	M10	70	60	10
-	P90040.TM12X4501CINESD	40	17	23	13	5	12.4	M12	45	58	10
-	P90040.TM12X7001CINESD	40	17	23	13	5	12.4	M12	70	75	10
-	P90040.TM12X10001CINESD	40	17	23	13	5	12.4	M12	100	99	10
-	P90050.TM08X4501CINESD	50	18	24	13	5	12.4	M8	45	46	10
-	P90050.TM08X7001CINESD	50	18	24	13	5	12.4	M8	70	53	10
-	P90050.TM10X4501CINESD	50	18	24	13	5	12.4	M10	45	54	10
-	P90050.TM10X7001CINESD	50	18	24	13	5	12.4	M10	70	63	10
-	P90050.TM12X4501CINESD	50	18	24	13	5	12.4	M12	45	64	10
-	P90050.TM12X7001CINESD	50	18	24	13	5	12.4	M12	70	78	10
-	P90050.TM12X10001CINESD	50	18	24	13	5	12.4	M12	100	102	10
-	P90060.TM08X4501CINESD	60	20	26	13	5	12.4	M8	45	58	10
-	P90060.TM08X7001CINESD	60	20	26	13	5	12.4	M8	70	66	10
-	P90060.TM10X4501CINESD	60	20	26	13	5	12.4	M10	45	68	10
-	P90060.TM10X7001CINESD	60	20	26	13	5	12.4	M10	70	80	10
-	P90060.TM12X4501CINESD	60	20	26	13	5	12.4	M12	45	78	10
-	P90060.TM12X7001CINESD	60	20	26	13	5	12.4	M12	70	96	10
-	P90060.TM12X10001CINESD	60	20	26	13	5	12.4	M12	100	120	10

Attention: The expressed load limit F1 is lower than the break load by 30% and is intended as static. Customised stud length available for a minimum of 100 pieces.

