

P820



MOUNTING AND THRUST FOOT WITH THREADED AND ARTICULATED STEM

Materials:

Reinforced polyamide.
Resistant to oils and greases.

Surface finish:

Satin.

Colour:

Black (RAL 9011).

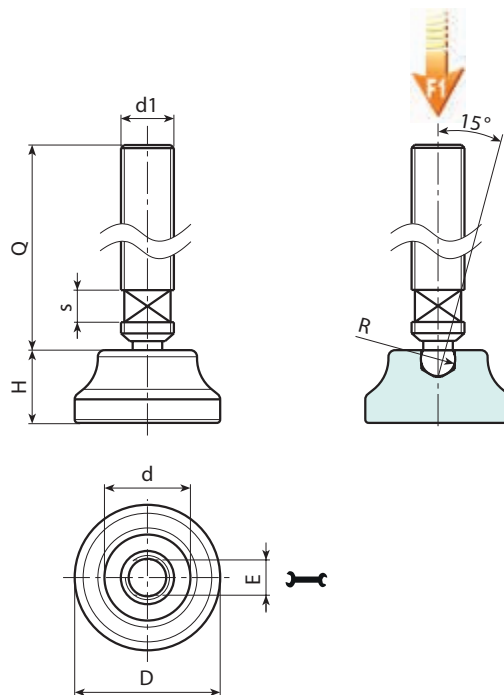
Inserts:

Galvanized steel threaded stem with ball joint (thread tolerance 6g), with milled seat for adjustment wrench.

Special requests:

- Upon request and for special quantities inserts can be supplied with customised lengths.
- Upon request and for special quantities inserts can be supplied in different materials.
- Upon request and for special quantities the foot can be supplied in Orange (RAL 2004).

Notes: The base of mounting foot P820 can be used in combination with other handgrips in order to obtain a greater closing surface or thrust.



Code	Art.	D	H	d	E	s	R	d1 _{6g}	Q	g	F1 (kN)
-	P820019.TM08X5001	19	10	13	6	6	6.1	M8	50	20	4
-	P820019.TM08X9001	19	10	13	6	6	6.1	M8	90	32	4
-	P820022.TM08X5001	22	11	15	6	6	6.1	M8	50	21	4
-	P820022.TM08X9001	22	11	15	6	6	6.1	M8	90	33	4
-	P820022.TM10X5001	22	11	15	8	6	7.8	M10	50	31	4
-	P820022.TM10X9001	22	11	15	8	6	7.8	M10	90	50	4
-	P820026.TM08X5001	26	12.5	18	6	6	6.1	M8	50	24	4
-	P820026.TM08X9001	26	12.5	18	6	6	6.1	M8	90	36	4
-	P820026.TM10X5001	26	12.5	18	8	6	7.8	M10	50	34	4
-	P820026.TM10X9001	26	12.5	18	8	6	7.8	M10	90	53	4
-	P820026.TM12X5001	26	12.5	18	10	6	9.4	M12	50	46	4
-	P820026.TM12X9001	26	12.5	18	10	6	9.4	M12	90	73	4

Attention: The expressed load limit F1 is lower than the break load by 30% and is intended as static. Customised stud length available for a minimum of 150 pieces.