

P814



SOLID MOUNTING FOOT WITH THREADED AND ARTICULATED STEM

Materials:

Reinforced polyamide.
Resistant to oils and greases.

Surface finish:

Satin.

Colour:

Black (RAL 9011).

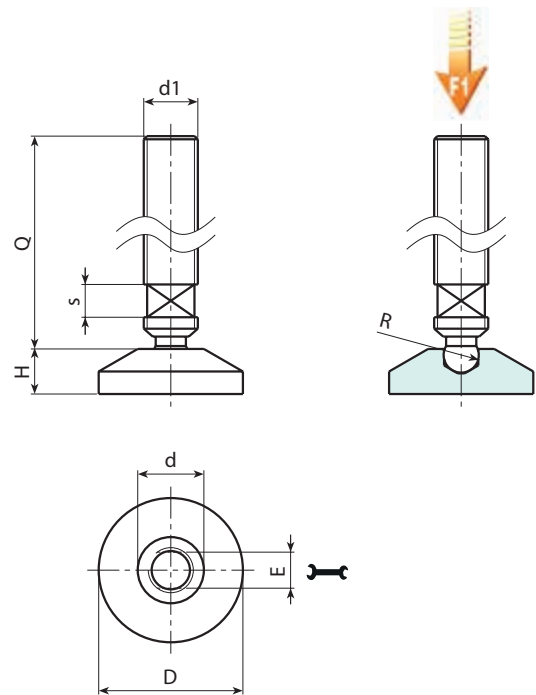
Inserts:

Galvanized steel threaded stem with ball joint (thread tolerance 6g), with milled seat for adjustment wrench.

Notes: The base of mounting foot P814 can be used in combination with other handgrips in order to obtain a greater closing surface or thrust.

Special requests:

- Upon request and for special quantities inserts can be supplied with customised lengths.
- Upon request and for special quantities the foot can be supplied in Orange (RAL 2004).



P

Code	Art.	D	H	d	E	s	R	d1	Q	g	F1 (N)
-	P814032.TM10X5001	32	10	15.5	6	6	8	M10	50	32	4000
-	P814032.TM10X9001	32	10	15.5	6	6	8	M10	90	53	4000
-	P814032.TM12X5001	32	10	15.5	6	6	8	M12	50	50	4000
-	P814032.TM12X9001	32	10	15.5	6	6	8	M12	90	90	4000

Attention: The expressed load limit F1 is lower than the break load by 30% and is intended as static. Customised stud length available for a minimum of 150 pieces.