

P709



TEARDROP MOUNTING FOOT WITH GROUND FIXING AND STEEL ARTICULATED STEM TYPE B - BALL R24 AND NON-SLIP BASE

Materials:

Reinforced polyamide.
Resistant to oils and greases.

Surface finish:

Satin.

Colour:

Black (RAL 9011).

Inserts:

P709:

Galvanised steel threaded and articulated stem (ball R.24) with milled seat for wrench (type B) (thread tolerance 6g).

P709CIN:

Stainless steel threaded and articulated stem (ball R.24) with milled seat for wrench (type B) (Aisi 304) (thread tolerance 6g).

Non-slip base:

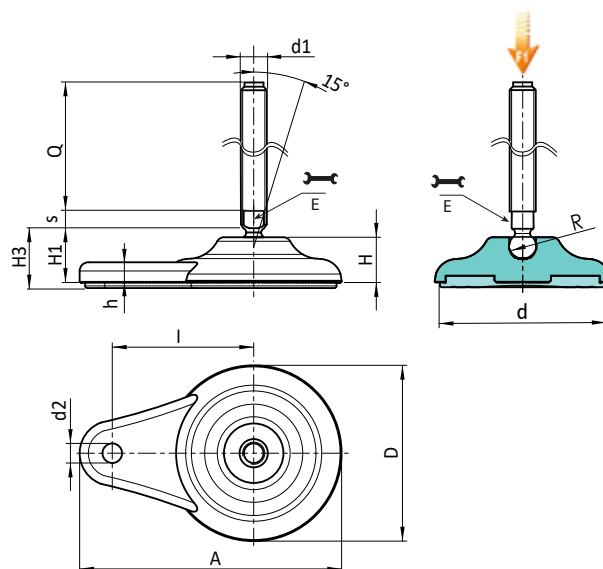
Non-slip base in thermoplastic rubber SBS 75 Shore, black RAL 9011. Resistant to oils and greases. Push-fit assembly.

Ground fixing:

Through hole obtained by moulding the plastic.

Special requests:

- Upon request and for special quantities inserts can be supplied with customised lengths.
- Upon request and for special quantities the foot can be supplied in Orange (RAL 2004).



Version P709: Teardrop mounting foot with ground fixing - stem type B (with milled seat for wrench) and ball R24 - with SBS non-slip base

Code	Art.	D	H	I	H1	H3	h	A	E	s	d2	d	R	d1 _{6g}	Q		F1 (kN)
-	P709080.TM24X11001	80	20	65	32	35	9	120	19	10	9	70	24	M24	110	469	25
-	P709080.TM24X13001	80	20	65	32	35	9	120	19	10	9	70	24	M24	130	529	25
-	P709080.TM24X15001	80	20	65	32	35	9	120	19	10	9	70	24	M24	150	589	25
-	P709080.TM24X17001	80	20	65	32	35	9	120	19	10	9	70	24	M24	170	649	25
-	P709080.TM30X11001	80	20	65	32	35	9	120	27	12	9	70	24	M30	110	629	25
-	P709080.TM30X13001	80	20	65	32	35	9	120	27	12	9	70	24	M30	130	716	25
-	P709080.TM30X15001	80	20	65	32	35	9	120	27	12	9	70	24	M30	150	804	25
-	P709080.TM30X17001	80	20	65	32	35	9	120	27	12	9	70	24	M30	170	892	25
-	P709080.TM30X19001	80	20	65	32	35	9	120	27	12	9	70	24	M30	190	979	25
-	P709080.TM30X21001	80	20	65	32	35	9	120	27	12	9	70	24	M30	210	1069	25

Attention: The expressed load limit F1 is lower than the break load by 30% and is intended as static. Customised stud length available for a minimum of 100 pieces.

Version P709CIN: Foot with lateral ground fixing - stem type B - stainless steel - (with milled seat for wrench) and ball R24 - with SBS

non-slip base



Code	Art.	D	H	I	H1	H3	h	A	E	s	d2	d	R	d1 _{6g}	Q		F1 (kN)
-	P709080.TM24X11001CIN	80	20	65	32	35	9	120	19	10	9	70	24	M24	110	469	25
-	P709080.TM24X13001CIN	80	20	65	32	35	9	120	19	10	9	70	24	M24	130	529	25
-	P709080.TM24X15001CIN	80	20	65	32	35	9	120	19	10	9	70	24	M24	150	589	25
-	P709080.TM24X19001CIN	80	20	65	32	35	9	120	19	10	9	70	24	M24	190	709	25
-	P709080.TM30X13001CIN	80	20	65	32	35	9	120	27	12	9	70	24	M30	130	716	25
-	P709080.TM30X17001CIN	80	20	65	32	35	9	120	27	12	9	70	24	M30	170	892	25