

P707



TEARDROP MOUNTING FOOT WITH GROUND FIXING AND STEEL ARTICULATED STEM TYPE B - BALL R15 AND NON-SLIP BASE

Materials:

Reinforced polyamide.
Resistant to oils and greases.

Surface finish:

Satin.

Colour:

Black (RAL 9011).

Inserts:

P707:

Galvanised steel threaded and articulated stem (ball R.15) with milled seat for wrench (type B) (thread tolerance 6g).

P707CIN:

Stainless steel threaded and articulated stem (ball R.15) with milled seat for wrench (type B) (Aisi 303) (thread tolerance 6g).

Non-slip base:

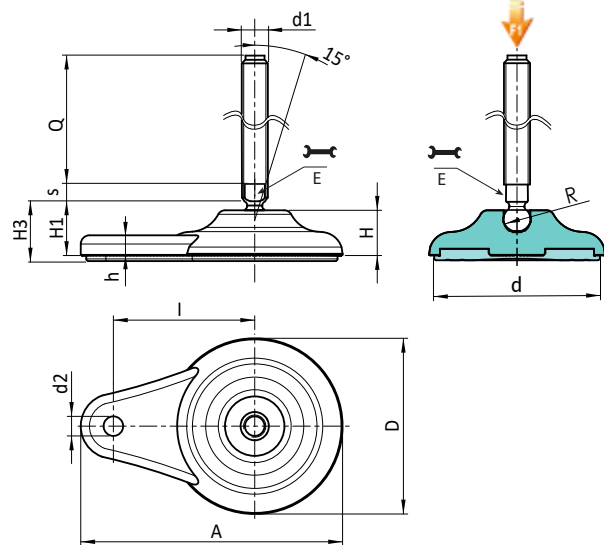
Non-slip base in thermoplastic rubber SBS 75 Shore, black RAL 9011. Resistant to oils and greases. Push-fit assembly.

Ground fixing:

Through hole obtained by moulding the plastic.

Special requests:

- Upon request and for special quantities inserts can be supplied with customised lengths.
- Upon request and for special quantities the foot can be supplied in Orange (RAL 2004).



Version P707: Teardrop mounting foot with ground fixing - stem type B (with milled seat for wrench) and ball R15 - with SBS non-slip base

Code	Art.	D	H	I	H1	H3	h	A	E	s	d2	d	R	d1 _{6g}	Q		F1 (kN)
-	P707080.TM20X5001	80	20	65	26	29	9	120	16	7	9	70	15	M20	50	222	17
-	P707080.TM20X7001	80	20	65	26	29	9	120	16	7	9	70	15	M20	70	254	17
-	P707080.TM20X9001	80	20	65	26	29	9	120	16	7	9	70	15	M20	90	286	17
-	P707080.TM20X11001	80	20	65	26	29	9	120	16	7	9	70	15	M20	110	318	17
-	P707080.TM20X13001	80	20	65	26	29	9	120	16	7	9	70	15	M20	130	350	17
-	P707080.TM20X15001	80	20	65	26	29	9	120	16	7	9	70	15	M20	150	385	17
-	P707080.TM20X17001	80	20	65	26	29	9	120	16	7	9	70	15	M20	170	417	17
-	P707080.TM20X19001	80	20	65	26	29	9	120	16	7	9	70	15	M20	190	450	17
-	P707080.TM20X21001	80	20	65	26	29	9	120	16	7	9	70	15	M20	210	485	17
-	P707080.TM24X15001	80	20	65	26	29	9	120	19	7	9	70	15	M24	150	590	17
-	P707080.TM24X17001	80	20	65	26	29	9	120	19	7	9	70	15	M24	170	650	17
-	P707080.TM24X19001	80	20	65	26	29	9	120	19	7	9	70	15	M24	190	710	17
-	P707080.TM24X21001	80	20	65	26	29	9	120	19	7	9	70	15	M24	210	770	17

Attention: The expressed load limit F1 is lower than the break load by 30% and is intended as static.
Customised stud length available for a minimum of 100 pieces.

Version P707CIN: Teardrop mounting foot with ground fixing - stem type B - stainless steel - (with milled seat for wrench) and ball R15 - with



SBS non-slip base

Code	Art.	D	H	I	H1	H3	h	A	E	s	d2	d	R	d1 _{6g}	Q		F1 (kN)
-	P707080.TM20X7001CIN	80	20	65	26	29	9	120	16	7	9	70	15	M20	70	254	17
-	P707080.TM20X9001CIN	80	20	65	26	29	9	120	16	7	9	70	15	M20	90	286	17
-	P707080.TM20X13001CIN	80	20	65	26	29	9	120	16	7	9	70	15	M20	130	350	17
-	P707080.TM20X15001CIN	80	20	65	26	29	9	120	16	7	9	70	15	M20	150	385	17
-	P707080.TM20X19001CIN	80	20	65	26	29	9	120	16	7	9	70	15	M20	190	450	17
-	P707080.TM20X21001CIN	80	20	65	26	29	9	120	16	7	9	70	15	M20	210	485	17
-	P707080.TM24X11001CIN	80	20	65	26	29	9	120	19	7	9	70	15	M24	110	470	17
-	P707080.TM24X15001CIN	80	20	65	26	29	9	120	19	7	9	70	15	M24	150	590	17