

P706



TEARDROP MOUNTING FOOT WITH GROUND FIXING AND STEEL ARTICULATED STEM TYPE B - BALL R15

Materials:

Reinforced polyamide.
Resistant to oils and greases.

Surface finish:

Satin.

Colour:

Black (RAL 9011).

Inserts:

P706:

Galvanised steel threaded and articulated stem (ball R.15) with milled seat for wrench (type B) (thread tolerance 6g).

P706CIN:

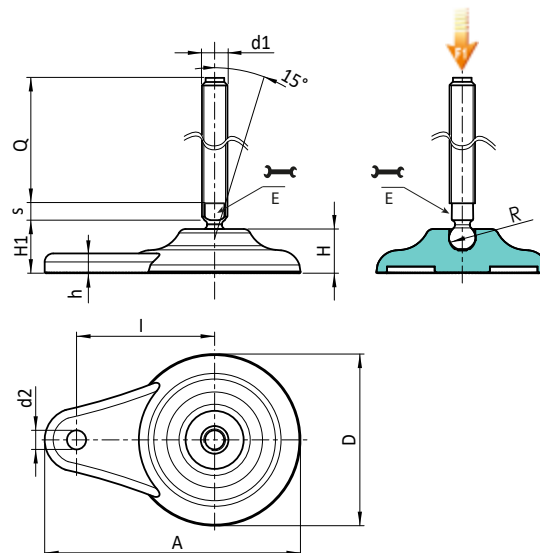
Stainless steel threaded and articulated stem (ball R.15) with milled seat for wrench (type B) (Aisi 304) (thread tolerance 6g).

Ground fixing:

Through hole obtained by moulding the plastic.

Special requests:

- Upon request and for special quantities inserts can be supplied with customised lengths.
- Upon request and for special quantities the foot can be supplied in Orange (RAL 2004).



Version P706: Teardrop mounting foot with ground fixing - stem type B (with milled seat for wrench) and ball R15

Code	Art.	D	H	l	H1	h	A	E	s	d2	R	d1 _{6g}	Q	g	F1 (kN)
-	P706080.TM20X7001	80	20	65	26	9	120	16	7	9	15	M20	70	231	17
-	P706080.TM20X9001	80	20	65	26	9	120	16	7	9	15	M20	90	263	17
-	P706080.TM20X13001	80	20	65	26	9	120	16	7	9	15	M20	130	327	17
-	P706080.TM20X15001	80	20	65	26	9	120	16	7	9	15	M20	150	362	17
-	P706080.TM20X19001	80	20	65	26	9	120	16	7	9	15	M20	190	427	17
-	P706080.TM20X21001	80	20	65	26	9	120	16	7	9	15	M20	210	462	17
-	P706080.TM24X15001	80	20	65	26	9	120	16	7	9	15	M24	150	567	17
-	P706080.TM24X17001	80	20	65	26	9	120	16	7	9	15	M24	170	627	17
-	P706080.TM24X19001	80	20	65	26	9	120	16	7	9	15	M24	190	687	17
-	P706080.TM24X21001	80	20	65	26	9	120	16	7	9	15	M24	210	747	17

Attention: The expressed load limit F1 is lower than the break load by 30% and is intended as static.
Customised stud length available for a minimum of 100 pieces.

Version P706CIN: Teardrop mounting foot with ground fixing - stem type B - stainless steel - (with milled seat for wrench) and ball R15



Code	Art.	D	H	l	H1	h	A	E	s	d2	R	d1 _{6g}	Q	g	F1 (kN)
-	P706080.TM20X7001CIN	80	20	65	26	9	120	16	7	9	15	M20	70	231	17
-	P706080.TM20X9001CIN	80	20	65	26	9	120	16	7	9	15	M20	90	263	17
-	P706080.TM20X13001CIN	80	20	65	26	9	120	16	7	9	15	M20	130	327	17
-	P706080.TM20X15001CIN	80	20	65	26	9	120	16	7	9	15	M20	150	362	17
-	P706080.TM20X19001CIN	80	20	65	26	9	120	16	7	9	15	M20	190	427	17
-	P706080.TM20X21001CIN	80	20	65	26	9	120	16	7	9	15	M20	210	462	17
-	P706080.TM24X11001CIN	80	20	65	26	9	120	16	7	9	15	M24	110	447	17
-	P706080.TM24X15001CIN	80	20	65	26	9	120	16	7	9	15	M24	150	567	17