

P705



TEARDROP MOUNTING FOOT WITH GROUND FIXING AND STEEL ARTICULATED STEM TYPE B - BALL R12.4 AND NON-SLIP BASE

Materials:

Reinforced polyamide.
Resistant to oils and greases.

Surface finish:

Satin.

Colour:

Black (RAL 9011).

Inserts:

P705:

Galvanised steel threaded and articulated stem (ball R.12.5) with milled seat for wrench (type B) (thread tolerance 6g).

P705CIN:

Stainless steel threaded and articulated stem (ball R.12.5) with milled seat for wrench (type B) (Aisi 303) (thread tolerance 6g).

Non-slip base:

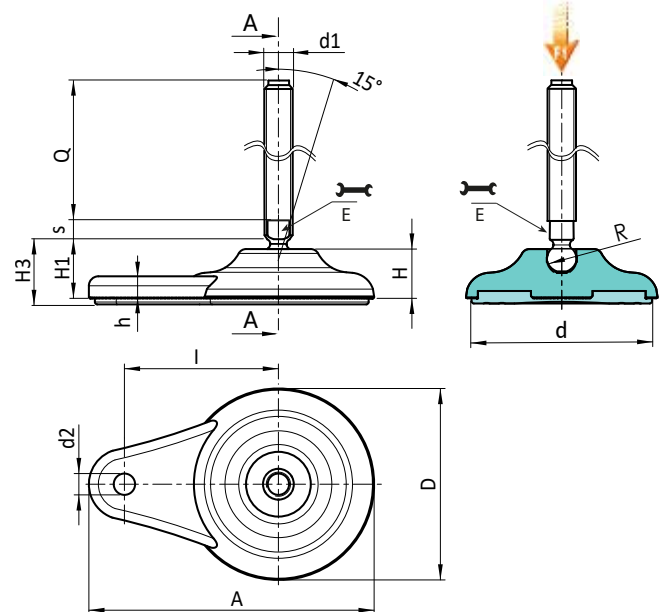
Non-slip base in thermoplastic rubber SBS 75 Shore, black RAL 9011.
Resistant to oils and greases. Push-fit assembly.

Ground fixing:

Through hole obtained by moulding the plastic.

Special requests:

- Upon request and for special quantities inserts can be supplied with customised lengths.
- Upon request and for special quantities the foot can be supplied in Orange (RAL 2004).



Version P705: Teardrop mounting foot with ground fixing - stem type B (with milled seat for wrench) and ball R12.5 - with SBS non-slip base

Code	Art.	D	H	I	H1	H3	h	A	E	s	d2	d	R	d1 _{6g}	Q	g	F1 (kN)
-	P705080.TM16X7001	80	20	65	26	29	9	120	13	7	9	70	12.4	M16	70	179	10
-	P705080.TM16X9001	80	20	65	26	29	9	120	13	7	9	70	12.4	M16	90	205	10
-	P705080.TM16X11001	80	20	65	26	29	9	120	13	7	9	70	12.4	M16	110	231	10
-	P705080.TM16X13001	80	20	65	26	29	9	120	13	7	9	70	12.4	M16	130	257	10
-	P705080.TM16X15001	80	20	65	26	29	9	120	13	7	9	70	12.4	M16	150	283	10
-	P705080.TM16X17001	80	20	65	26	29	9	120	13	7	9	70	12.4	M16	170	309	10

Attention: The expressed load limit F1 is lower than the break load by 30% and is intended as static.
Customised stud length available for a minimum of 100 pieces.

Version P705CIN: Teardrop mounting foot with ground fixing - stem type B - stainless steel - (with milled seat for wrench) and ball R12.5 -

with SBS non-slip base



Code	Art.	D	H	I	H1	H3	h	A	E	s	d2	d	R	d1 _{6g}	Q	g	F1 (kN)
-	P705080.TM16X11001CIN	80	20	65	26	29	9	120	13	7	9	70	12.4	M16	110	231	10
-	P705080.TM16X13001CIN	80	20	65	26	29	9	120	13	7	9	70	12.4	M16	130	257	10
-	P705080.TM16X15001CIN	80	20	65	26	29	9	120	13	7	9	70	12.4	M16	150	283	10
-	P705080.TM16X17001CIN	80	20	65	26	29	9	120	13	7	9	70	12.4	M16	170	309	10

Attention: The expressed load limit F1 is lower than the break load by 30% and is intended as static.

