

# P703



## TEARDROP MOUNTING FOOT WITH GROUND FIXING AND STEEL ARTICULATED STEM TYPE A - BALL R15

### Materials:

Reinforced polyamide.  
Resistant to oils and greases.

### Surface finish:

Satin.

### Colour:

Black (RAL 9011).

### Inserts:

#### P703:

Galvanised steel threaded and articulated stem (ball R.15) with hexagonal base (thread tolerance 6g).

#### P703CIN:

Stainless steel threaded and articulated stem (ball R.15) with hexagonal base (Aisi 303) (thread tolerance 6g).

### Non-slip base:

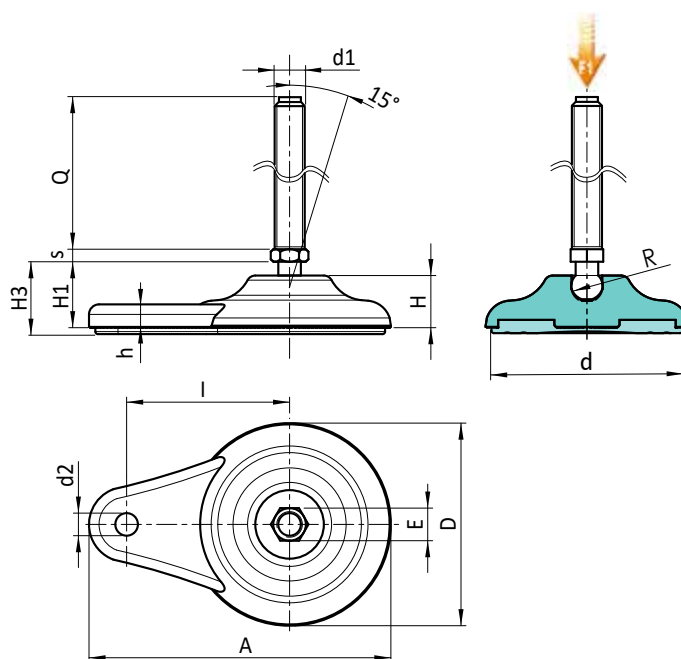
Non-slip base in thermoplastic rubber SBS 75 Shore, black RAL 9011.  
Resistant to oils and greases. Push-fit assembly.

### Ground fixing:

Through hole obtained by moulding the plastic.

### Special requests:

- Upon request and for special quantities inserts can be supplied with customised lengths.
- Upon request and for special quantities the foot can be supplied in Orange (RAL 2004).



Version P703: Teardrop mounting foot with ground fixing - stem type A (with hexagonal base) and ball R15 - with SBS non-slip base

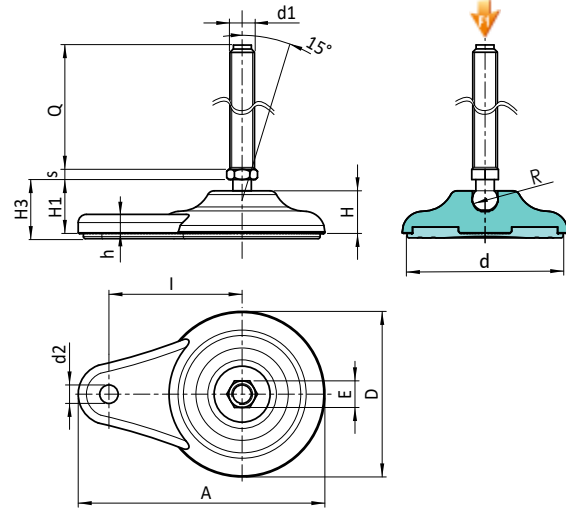
Code	Art.	D	H	I	H1	H3	h	A	E	s	d2	d	R	d1 <sub>6g</sub>	Q	g	F1 (kN)
-	P703080.TM12X5001	80	20	65	26	29	9	120	16	6.5	9	70	15	M12	50	143	13
-	P703080.TM12X7001	80	20	65	26	29	9	120	16	6.5	9	70	15	M12	70	156	13
-	P703080.TM12X9001	80	20	65	26	29	9	120	16	6.5	9	70	15	M12	90	171	13
-	P703080.TM12X11001	80	20	65	26	29	9	120	16	6.5	9	70	15	M12	110	187	13
-	P703080.TM14X5001	80	20	65	26	29	9	120	16	6.5	9	70	15	M14	50	155	13
-	P703080.TM14X7001	80	20	65	26	29	9	120	16	6.5	9	70	15	M14	70	185	13
-	P703080.TM14X9001	80	20	65	26	29	9	120	16	6.5	9	70	15	M14	90	196	13
-	P703080.TM14X11001	80	20	65	26	29	9	120	16	6.5	9	70	15	M14	110	213	13
-	P703080.TM14X15001	80	20	65	26	29	9	120	16	6.5	9	70	15	M14	150	230	13
-	P703080.TM16X5001	80	20	65	26	29	9	120	16	6.5	9	70	15	M16	50	171	13
-	P703080.TM16X7001	80	20	65	26	29	9	120	16	6.5	9	70	15	M16	70	197	13
-	P703080.TM16X9001	80	20	65	26	29	9	120	16	6.5	9	70	15	M16	90	223	13
-	P703080.TM16X11001	80	20	65	26	29	9	120	16	6.5	9	70	15	M16	110	248	13
-	P703080.TM16X13001	80	20	65	26	29	9	120	16	6.5	9	70	15	M16	130	274	13
-	P703080.TM16X15001	80	20	65	26	29	9	120	16	6.5	9	70	15	M16	150	299	13
-	P703080.TM16X17001	80	20	65	26	29	9	120	16	6.5	9	70	15	M16	170	327	13
-	P703080.TM16X19001	80	20	65	26	29	9	120	16	6.5	9	70	15	M16	190	350	13

Attention: The expressed load limit F1 is lower than the break load by 30% and is intended as static.

# P703



## TEARDROP MOUNTING FOOT WITH GROUND FIXING AND STEEL ARTICULATED STEM TYPE A - BALL R15



P

Version P703CIN: Teardrop mounting foot with ground fixing - stem type A - stainless steel - (with hexagonal base) and ball R15 - with SBS



non-slip base

Code	Art.	D	H	I	H1	H3	h	A	E	s	d2	d	R	d1 <sub>6g</sub>	Q	g	F1 (kN)
-	P703080.TM12X7001CIN	80	20	65	26	29	9	120	16	6.5	9	70	15	M12	70	156	13
-	P703080.TM12X9001CIN	80	20	65	26	29	9	120	16	6.5	9	70	15	M12	90	171	13
-	P703080.TM12X11001CIN	80	20	65	26	29	9	120	16	6.5	9	70	15	M12	110	187	13
-	P703080.TM14X7001CIN	80	20	65	26	29	9	120	16	6.5	9	70	15	M14	70	185	13
-	P703080.TM14X11001CIN	80	20	65	26	29	9	120	16	6.5	9	70	15	M14	110	213	13
-	P703080.TM14X13001CIN	80	20	65	26	29	9	120	16	6.5	9	70	15	M14	130	230	13
-	P703080.TM16X5001CIN	80	20	65	26	29	9	120	16	6.5	9	70	15	M16	50	171	13
-	P703080.TM16X7001CIN	80	20	65	26	29	9	120	16	6.5	9	70	15	M16	70	197	13
-	P703080.TM16X9001CIN	80	20	65	26	29	9	120	16	6.5	9	70	15	M16	90	223	13
-	P703080.TM16X11001CIN	80	20	65	26	29	9	120	16	6.5	9	70	15	M16	110	248	13
-	P703080.TM16X13001CIN	80	20	65	26	29	9	120	16	6.5	9	70	15	M16	130	274	13
-	P703080.TM16X15001CIN	80	20	65	26	29	9	120	16	6.5	9	70	15	M16	150	299	13
-	P703080.TM16X17001CIN	80	20	65	26	29	9	120	16	6.5	9	70	15	M16	170	327	13
-	P703080.TM16X19001CIN	80	20	65	26	29	9	120	16	6.5	9	70	15	M16	190	350	13

Attention: The expressed load limit F1 is lower than the break load by 30% and is intended as static. Customised stud length available for a minimum of 100 pieces.

