

P702



PA6
+G.F.

UL94
HB

RoHS
COMPLIANT

TEARDROP MOUNTING FOOT WITH GROUND FIXING AND STEEL ARTICULATED STEM TYPE A - BALL R15

Materials:

Reinforced polyamide.
Resistant to oils and greases.

Surface finish:

Satin.

Colour:

Black (RAL 9011).

Inserts:

P702:

Galvanised steel threaded and articulated stem (ball R.15) with hexagonal base (thread tolerance 6g).

P702CIN:

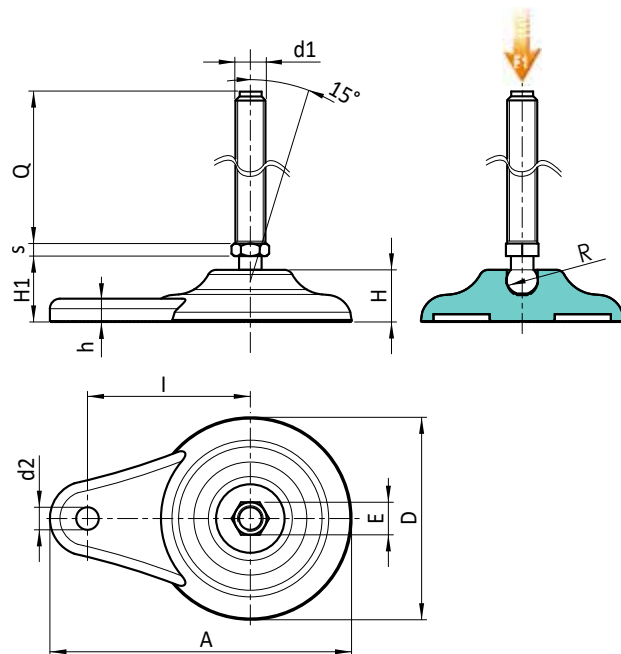
Stainless steel threaded and articulated stem (ball R.15) with hexagonal base (Aisi 303) (thread tolerance 6g).

Ground fixing:

Through hole obtained by moulding the plastic.

Special requests:

- Upon request and for special quantities inserts can be supplied with customised lengths.
- Upon request and for special quantities the foot can be supplied in Orange (RAL 2004).



Version P702: Teardrop mounting foot with ground fixing - stem type A (with hexagonal base) and ball R15

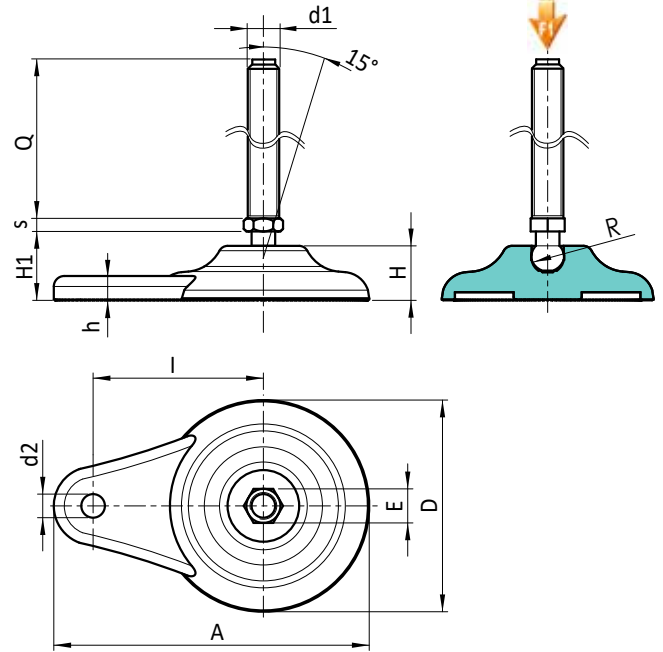
Code	Art.	D	H	l	H1	h	A	E	s	d2	R	d1 _{6g}	Q	g	F1 (kN)
-	P702080.TM12X5001	80	20	65	26	9	120	16	6.5	9	15	M12	50	120	13
-	P702080.TM12X7001	80	20	65	26	9	120	16	6.5	9	15	M12	70	133	13
-	P702080.TM12X9001	80	20	65	26	9	120	16	6.5	9	15	M12	90	148	13
-	P702080.TM12X11001	80	20	65	26	9	120	16	6.5	9	15	M12	110	164	13
-	P702080.TM14X5001	80	20	65	26	9	120	16	6.5	9	15	M14	50	132	13
-	P702080.TM14X7001	80	20	65	26	9	120	16	6.5	9	15	M14	70	152	13
-	P702080.TM14X9001	80	20	65	26	9	120	16	6.5	9	15	M14	90	173	13
-	P702080.TM14X11001	80	20	65	26	9	120	16	6.5	9	15	M14	110	190	13
-	P702080.TM14X15001	80	20	65	26	9	120	16	6.5	9	15	M14	150	224	13
-	P702080.TM16X5001	80	20	65	26	9	120	16	6.5	9	15	M16	50	148	13
-	P702080.TM16X7001	80	20	65	26	9	120	16	6.5	9	15	M16	70	174	13
-	P702080.TM16X9001	80	20	65	26	9	120	16	6.5	9	15	M16	90	200	13
-	P702080.TM16X11001	80	20	65	26	9	120	16	6.5	9	15	M16	110	225	13
-	P702080.TM16X13001	80	20	65	26	9	120	16	6.5	9	15	M16	130	251	13
-	P702080.TM16X15001	80	20	65	26	9	120	16	6.5	9	15	M16	150	276	13
-	P702080.TM16X17001	80	20	65	26	9	120	16	6.5	9	15	M16	170	304	13
-	P702080.TM16X19001	80	20	65	26	9	120	16	6.5	9	15	M16	190	327	13

Attention: The expressed load limit F1 is lower than the break load by 30% and is intended as static.
Customised stud length available for a minimum of 100 pieces.

P702



TEARDROP MOUNTING FOOT WITH GROUND FIXING AND STEEL ARTICULATED STEM TYPE A - BALL R15



P

Version P702CIN: Teardrop mounting foot with ground fixing - stem type A - stainless steel - (with hexagonal base) and ball R15

INOX

Code	Art.	D	H	I	H1	h	A	E	s	d2	R	d1 _{6g}	Q		F1 (kN)
-	P702080.TM12X7001CIN	80	20	65	26	9	120	16	6.5	9	15	M12	70	133	13
-	P702080.TM12X9001CIN	80	20	65	26	9	120	16	6.5	9	15	M12	90	148	13
-	P702080.TM12X11001CIN	80	20	65	26	9	120	16	6.5	9	15	M12	110	164	13
-	P702080.TM14X7001CIN	80	20	65	26	9	120	16	6.5	9	15	M14	70	152	13
-	P702080.TM14X11001CIN	80	20	65	26	9	120	16	6.5	9	15	M14	110	190	13
-	P702080.TM14X13001CIN	80	20	65	26	9	120	16	6.5	9	15	M14	130	207	13
-	P702080.TM16X5001CIN	80	20	65	26	9	120	16	6.5	9	15	M16	50	148	13
-	P702080.TM16X7001CIN	80	20	65	26	9	120	16	6.5	9	15	M16	70	174	13
-	P702080.TM16X9001CIN	80	20	65	26	9	120	16	6.5	9	15	M16	90	200	13
-	P702080.TM16X11001CIN	80	20	65	26	9	120	16	6.5	9	15	M16	110	225	13
-	P702080.TM16X13001CIN	80	20	65	26	9	120	16	6.5	9	15	M16	130	251	13
-	P702080.TM16X15001CIN	80	20	65	26	9	120	16	6.5	9	15	M16	150	276	13
-	P702080.TM16X17001CIN	80	20	65	26	9	120	16	6.5	9	15	M16	170	304	13
-	P702080.TM16X19001CIN	80	20	65	26	9	120	16	6.5	9	15	M16	190	327	13

Attention: The expressed load limit F1 is lower than the break load by 30% and is intended as static. Customised stud length available for a minimum of 100 pieces.

