

P701



TEARDROP MOUNTING FOOT WITH GROUND FIXING AND STEEL ARTICULATED STEM TYPE A - BALL R12.4 AND NON-SLIP BASE

Materials:

Reinforced polyamide.
Resistant to oils and greases.

Surface finish:

Satin.

Colour:

Black (RAL 9011).

Inserts:

P701:

Galvanised steel threaded and articulated stem (ball R.12.5) with hexagonal base (thread tolerance 6g).

P701CIN:

Stainless steel threaded and articulated stem (ball R.12.5) with hexagonal base (Aisi 303) (thread tolerance 6g).

Non-slip base:

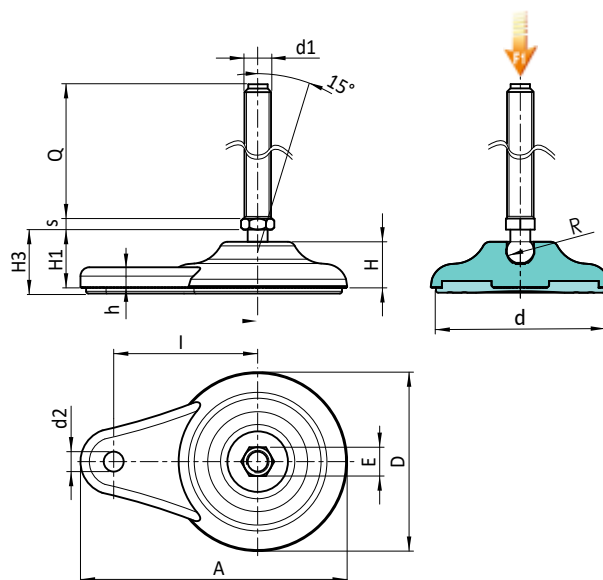
Non-slip base in thermoplastic rubber SBS 75 Shore, black RAL 9011. Resistant to oils and greases. Push-fit assembly.

Ground fixing:

Through hole obtained by moulding the plastic.

Special requests:

- Upon request and for special quantities inserts can be supplied with customised lengths.
- Upon request and for special quantities the foot can be supplied in Orange (RAL 2004).



Version P701: Teardrop mounting foot with ground fixing - stem type A (with hexagonal base) and ball R12.5 - with SBS non-slip base

Code	Art.	D	H	I	H1	H3	h	A	E	s	d2	d	R	d1 _{6g}	Q		F1 (kN)
-	P701080.TM08X4501	80	20	65	26	29	9	120	13	5	9	70	12.5	M8	45	72	10
-	P701080.TM08X7001	80	20	65	26	29	9	120	13	5	9	70	12.5	M8	70	79	10
-	P701080.TM10X4501	80	20	65	26	29	9	120	13	5	9	70	12.5	M10	45	97	10
-	P701080.TM10X7001	80	20	65	26	29	9	120	13	5	9	70	12.5	M10	70	109	10
-	P701080.TM10X10001	80	20	65	26	29	9	120	13	5	9	70	12.5	M10	100	146	10
-	P701080.TM12X4501	80	20	65	26	29	9	120	13	5	9	70	12.5	M12	45	107	10
-	P701080.TM12X7001	80	20	65	26	29	9	120	13	5	9	70	12.5	M12	70	124	10
-	P701080.TM12X10001	80	20	65	26	29	9	120	13	5	9	70	12.5	M12	100	168	10

Version P701CIN: Teardrop mounting foot with ground fixing - stem type A - stainless steel - (with hexagonal base) and ball R12.5 - with SBS

non-slip base



Code	Art.	D	H	I	H1	H3	h	A	E	s	d2	d	R	d1 _{6g}	Q		F1 (kN)
-	P701080.TM08X4501CIN	80	20	65	26	29	9	120	13	5	9	70	12.5	M8	45	72	10
-	P701080.TM08X7001CIN	80	20	65	26	29	9	120	13	5	9	70	12.5	M8	70	79	10
-	P701080.TM10X4501CIN	80	20	65	26	29	9	120	13	5	9	70	12.5	M10	45	97	10
-	P701080.TM10X7001CIN	80	20	65	26	29	9	120	13	5	9	70	12.5	M10	70	109	10
-	P701080.TM12X4501CIN	80	20	65	26	29	9	120	13	5	9	70	12.5	M12	45	107	10
-	P701080.TM12X7001CIN	80	20	65	26	29	9	120	13	5	9	70	12.5	M12	70	124	10