

P700ESD

NEW



TEARDROP MOUNTING FOOT WITH GROUND FIXING - IN ESD MATERIAL - WITH STEEL ARTICULATED STEM TYPE A - BALL 12.4

Materials:

Reinforced polyamide, with conductive fillers (ESD-C).
Resistant to oils and greases.

Surface finish:

Satin.

Colour:

Black (RAL 9011).

Inserts:

P700ESD:

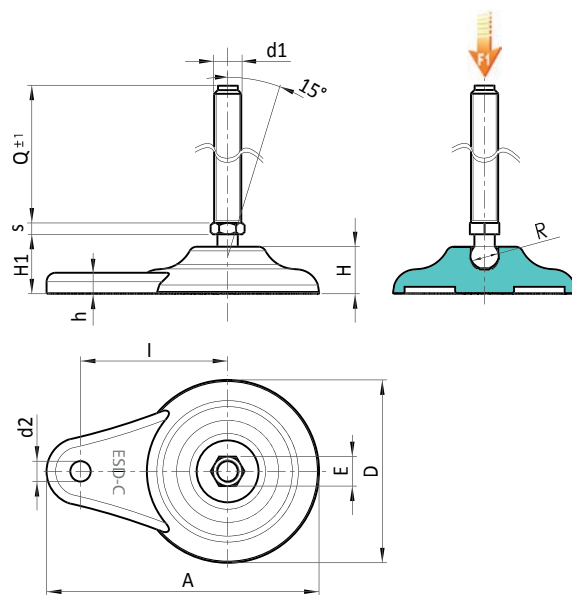
Galvanised steel threaded and articulated stem (ball 12.4) with hexagonal base (thread tolerance 6g).

P700CINESD:

Stainless steel threaded and articulated stem (ball 12.4) with hexagonal base (Aisi 303) (thread tolerance 6g).

Special requests:

- Upon request and for special quantities inserts can be supplied with customised lengths.



Notes: This item is made from ESD-C (Electro Static Discharge - Conductive) material with fillers in compliance with standards EN 100015/1 and IEC 61340-5-1. The product is conductive and prevents the formation of electrostatic discharges by facilitating its grounding. A yellow pad-printed symbol (ESD-C) enables correct identification of the product. Product suitable for the production of electronic material and for use in explosive atmospheres.

Version P700ESD: Mounting foot with stem type A (with hexagonal base) and ball 12.4



Code	Art.	D	H	I	H1	h	A	E	s	d2	R	d1 _{6g}	Q	g	F1 (kN)
-	P700080.TM08X4501ESD	80	20	65	26	9	120	13	5	9	12.5	M8	45	58	10
-	P700080.TM08X7001ESD	80	20	65	26	9	120	13	5	9	12.5	M8	70	65	10
-	P700080.TM10X4501ESD	80	20	65	26	9	120	13	5	9	12.5	M10	45	83	10
-	P700080.TM10X7001ESD	80	20	65	26	9	120	13	5	9	12.5	M10	70	95	10
-	P700080.TM10X10001ESD	80	20	65	26	9	120	13	5	9	12.5	M10	100	132	10
-	P700080.TM12X4501ESD	80	20	65	26	9	120	13	5	9	12.5	M12	45	93	10
-	P700080.TM12X7001ESD	80	20	65	26	9	120	13	5	9	12.5	M12	70	110	10
-	P700080.TM12X10001ESD	80	20	65	26	9	120	13	5	9	12.5	M12	100	154	10

Attention: The expressed load limit F1 is lower than the break load by 30% and is intended as static. Customised stud length available for a minimum of 100 pieces.

Version P700CINESD: Mounting foot with stem type A (with hexagonal base) and ball 12.4 - stainless steel

INOX



Code	Art.	D	H	I	H1	h	A	E	s	d2	R	d1 _{6g}	Q	g	F1 (kN)
-	P700080.TM08X4501CINESD	80	20	65	26	9	120	13	5	9	12.5	M8	45	58	10
-	P700080.TM08X7001CINESD	80	20	65	26	9	120	13	5	9	12.5	M8	70	65	10
-	P700080.TM10X4501CINESD	80	20	65	26	9	120	13	5	9	12.5	M10	45	83	10
-	P700080.TM10X7001CINESD	80	20	65	26	9	120	13	5	9	12.5	M10	70	95	10
-	P700080.TM10X10001CINESD	80	20	65	26	9	120	13	5	9	12.5	M10	100	132	10
-	P700080.TM12X4501CINESD	80	20	65	26	9	120	13	5	9	12.5	M12	45	93	10
-	P700080.TM12X7001CINESD	80	20	65	26	9	120	13	5	9	12.5	M12	70	110	10
-	P700080.TM12X10001CINESD	80	20	65	26	9	120	13	5	9	12.5	M12	100	154	10

Attention: The expressed load limit F1 is lower than the break load by 30% and is intended as static. Customised stud length available for a minimum of 100 pieces.

