

# P544



## FULL STEEL MOUNTING FOOT WITH ARTICULATED STEM TYPE A - BALL R24 AND NON-SLIP BASE

### Materials:

#### P544:

Turned free-cutting steel mounting foot base.

#### P544CIN:

Turned stainless steel mounting foot base (Aisi 303).

### Surface finish:

Smooth.

### Colour:

#### P544:

Standard blue galvanising.

#### P544CIN:

Natural.

### Inserts:

#### P544:

Galvanised steel threaded and articulated stem (ball R.24) with hexagonal base (thread tolerance 6g).

#### P544CIN:

Stainless steel threaded and articulated stem (ball R.24) with hexagonal base (Aisi 303) (thread tolerance 6g).

### Stem fixing method:

The stem cannot be disassembled. The ball cannot be removed as the edge of its seat has been pressed in.

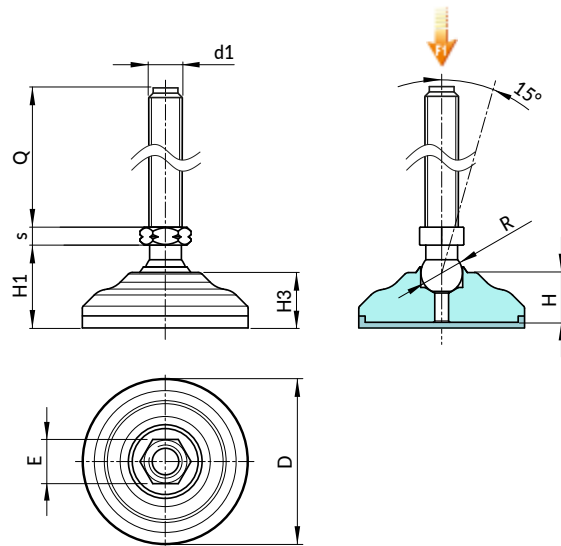
### Non-slip base:

Non-slip base in thermoplastic rubber SBS 75 Shore, black RAL 9011.

Resistant to oils and greases. Push-fit assembly.

### Special requests:

- Upon request and for special quantities inserts can be supplied with customised lengths.



### Version P544: Galvanised steel mounting foot with stem type A (with hexagonal base) and ball R24-with SBS non-slip base

Code	Art.	D	H	H1	H3	E	s	R	d1 <sub>6g</sub>	Q	g	F1 (kN)
-	P54460.VZM16X090	60	20	32	22,5	24	10	24	M16	90	-	60
-	P54460.VZM16X110	60	20	32	22,5	24	10	24	M16	110	-	60
-	P54460.VZM16X130	60	20	32	22,5	24	10	24	M16	130	-	60
-	P54460.VZM16X150	60	20	32	22,5	24	10	24	M16	150	-	60
-	P54460.VZM16X170	60	20	32	22,5	24	10	24	M16	170	-	60
-	P54460.VZM20X090	60	20	32	22,5	24	10	24	M20	90	-	90
-	P54460.VZM20X110	60	20	32	22,5	24	10	24	M20	110	-	90
-	P54460.VZM20X130	60	20	32	22,5	24	10	24	M20	130	-	90
-	P54460.VZM20X150	60	20	32	22,5	24	10	24	M20	150	-	90
-	P54460.VZM20X170	60	20	32	22,5	24	10	24	M20	170	-	90

Attention: The expressed load limit F1 is lower than the break load by 30% and is intended as static. Customised stud length available for a minimum of 100 pieces.

### Version P544CIN: Stainless steel mounting foot with stem type A (with hexagonal base) and ball R24-with SBS non-slip base



Code	Art.	D	H	H1	H3	E	s	R	d1 <sub>6g</sub>	Q	g	F1 (kN)
-	P54460.INM16X090CIN	60	20	32	22,5	24	10	24	M16	90	-	60
-	P54460.INM16X110CIN	60	20	32	22,5	24	10	24	M16	110	-	60
-	P54460.INM16X130CIN	60	20	32	22,5	24	10	24	M16	130	-	60
-	P54460.INM16X150CIN	60	20	32	22,5	24	10	24	M16	150	-	60
-	P54460.INM16X170CIN	60	20	32	22,5	24	10	24	M16	170	-	60
-	P54460.INM20X090CIN	60	20	32	22,5	24	10	24	M20	90	-	60
-	P54460.INM20X110CIN	60	20	32	22,5	24	10	24	M20	110	-	60
-	P54460.INM20X130CIN	60	20	32	22,5	24	10	24	M20	130	-	60
-	P54460.INM20X150CIN	60	20	32	22,5	24	10	24	M20	150	-	60