

# P543



## FULL STEEL MOUNTING FOOT WITH ARTICULATED STEM TYPE B - BALL R15 AND NON-SLIP BASE

### Materials:

#### P543:

Turned free-cutting steel mounting foot base.

#### P543CIN:

Turned stainless steel mounting foot base (Aisi 303).

### Surface finish:

Smooth.

### Colour:

#### P543:

Standard blue galvanising.

#### P543CIN:

Natural.

### Inserts:

#### P543:

Galvanised steel threaded and articulated stem (ball R.15) with milled seat for wrench (type B) (thread tolerance 6g).

#### P543CIN:

Stainless steel threaded and articulated stem (ball R.15) with milled seat for wrench (type B) (Aisi 304) (thread tolerance 6g).

### Stem fixing method:

The stem cannot be disassembled. The ball cannot be removed as the edge of its seat has been pressed in.

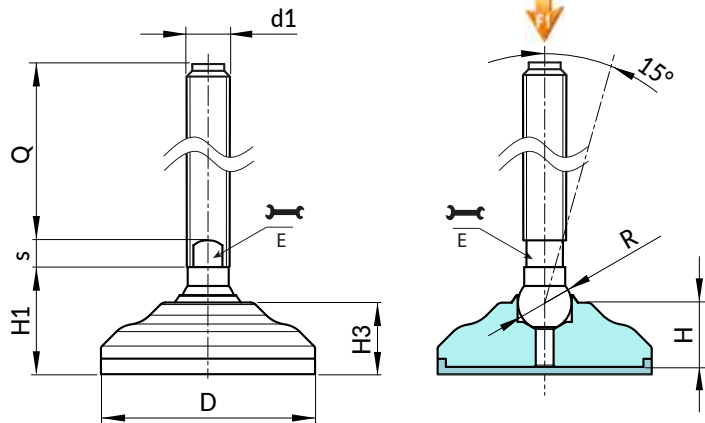
### Non-slip base:

Non-slip base in thermoplastic rubber SBS 75 Shore, black RAL 9011.

Resistant to oils and greases. Push-fit assembly.

### Special requests:

- Upon request and for special quantities inserts can be supplied with customised lengths.



### Version P543: Galvanised steel mounting foot with stem type B (with milled seat for wrench) and ball R15 - with SBS non-slip base

Code	Art.	D	H	H1	H3	E	s	R	d1 <sub>6g</sub>	Q	g	F1 (kN)
-	P54340.VZM20X90	40	15	26	17.5	16	7	15	M20	90	313	50
-	P54340.VZM20X110	40	15	26	17.5	16	7	15	M20	110	345	50
-	P54340.VZM20X130	40	15	26	17.5	16	7	15	M20	130	377	50
-	P54340.VZM20X150	40	15	26	17.5	16	7	15	M20	150	412	50
-	P54340.VZM20X170	40	15	26	17.5	16	7	15	M20	170	444	50
-	P54340.VZM20X190	40	15	26	17.5	16	7	15	M20	190	477	50
-	P54340.VZM20X210	40	15	26	17.5	16	7	15	M20	210	512	50
-	P54350.VZM20X90	50	17.5	29.5	20	16	7	15	M20	90	382	50
-	P54350.VZM20X110	50	17.5	29.5	20	16	7	15	M20	110	414	50
-	P54350.VZM20X130	50	17.5	29.5	20	16	7	15	M20	130	446	50
-	P54350.VZM20X150	50	17.5	29.5	20	16	7	15	M20	150	481	50
-	P54350.VZM20X170	50	17.5	29.5	20	16	7	15	M20	170	513	50
-	P54350.VZM20X190	50	17.5	29.5	20	16	7	15	M20	190	546	50
-	P54350.VZM20X210	50	17.5	29.5	20	16	7	15	M20	210	581	50
-	P54360.VZM20X90	60	19.5	32	22	16	7	15	M20	90	487	50
-	P54360.VZM20X110	60	19.5	32	22	16	7	15	M20	110	519	50
-	P54360.VZM20X130	60	19.5	32	22	16	7	15	M20	130	351	50
-	P54360.VZM20X150	60	19.5	32	22	16	7	15	M20	150	586	50
-	P54360.VZM20X170	60	19.5	32	22	16	7	15	M20	170	618	50
-	P54360.VZM20X190	60	19.5	32	22	16	7	15	M20	190	651	50
-	P54360.VZM20X210	60	19.5	32	22	16	7	15	M20	210	686	50
-	P54340.VZM24X90	40	15	26	17.5	19	7	15	M24	90	437	50
-	P54340.VZM24X110	40	15	26	17.5	19	7	15	M24	110	497	50
-	P54340.VZM24X130	40	15	26	17.5	19	7	15	M24	130	557	50
-	P54340.VZM24X150	40	15	26	17.5	19	7	15	M24	150	617	50

# P543



AVP

AISI  
303

SBS

UL94  
HB



## FULL STEEL MOUNTING FOOT WITH ARTICULATED STEM TYPE B - BALL R15 AND NON-SLIP BASE

Code	Art.	D	H	H1	H3	E	s	R	d1 <sub>6g</sub>	Q	g	F1 (kN)
-	P54340.VZM24X210	40	15	26	17.5	19	7	15	M24	210	797	50
-	P54350.VZM24X90	50	17.5	29.5	20	19	7	15	M24	90	506	50
-	P54350.VZM24X110	50	17.5	29.5	20	19	7	15	M24	110	566	50
-	P54350.VZM24X130	50	17.5	29.5	20	19	7	15	M24	130	626	50
-	P54350.VZM24X150	50	17.5	29.5	20	19	7	15	M24	150	686	50
-	P54350.VZM24X170	50	17.5	29.5	20	19	7	15	M24	170	746	50
-	P54350.VZM24X190	50	17.5	29.5	20	19	7	15	M24	190	806	50
-	P54350.VZM24X210	50	17.5	29.5	20	19	7	15	M24	210	866	50
-	P54360.VZM24X90	60	19.5	32	22	19	7	15	M24	90	611	50
-	P54360.VZM24X110	60	19.5	32	22	19	7	15	M24	110	671	50
-	P54360.VZM24X130	60	19.5	32	22	19	7	15	M24	130	731	50
-	P54360.VZM24X150	60	19.5	32	22	19	7	15	M24	150	791	50
-	P54360.VZM24X170	60	19.5	32	22	19	7	15	M24	170	851	50
-	P54360.VZM24X190	60	19.5	32	22	19	7	15	M24	190	911	50
-	P54360.VZM24X210	60	19.5	32	22	19	7	15	M24	210	971	50

Customised stud length available for a minimum of 100 pieces.

Attention: The expressed load limit F1 is lower than the break load by 30% and is intended as static.



Version P543CIN: Stainless steel foot with stem type B (with milled seat for wrench) and ball R15 - with SBS non-slip base

Code	Art.	D	H	H1	H3	E	s	R	d1 <sub>6g</sub>	Q	g	F1 (kN)
-	P54340.INM20X90CIN	40	15	26	17.5	16	7	15	M20	90	313	50
-	P54340.INM20X110CIN	40	15	26	17.5	16	7	15	M20	110	345	50
-	P54340.INM20X130CIN	40	15	26	17.5	16	7	15	M20	130	377	50
-	P54340.INM20X150CIN	40	15	26	17.5	16	7	15	M20	150	412	50
-	P54340.INM20X170CIN	40	15	26	17.5	16	7	15	M20	170	444	50
-	P54340.INM20X190CIN	40	15	26	17.5	16	7	15	M20	190	477	50
-	P54340.INM20X210CIN	40	15	26	17.5	16	7	15	M20	210	512	50
-	P54350.INM20X90CIN	50	17.5	29.5	20	16	7	15	M20	90	382	50
-	P54350.INM20X110CIN	50	17.5	29.5	20	16	7	15	M20	110	414	50
-	P54350.INM20X130CIN	50	17.5	29.5	20	16	7	15	M20	130	446	50
-	P54350.INM20X150CIN	50	17.5	29.5	20	16	7	15	M20	150	481	50
-	P54350.INM20X170CIN	50	17.5	29.5	20	16	7	15	M20	170	513	50
-	P54350.INM20X190CIN	50	17.5	29.5	20	16	7	15	M20	190	546	50
-	P54350.INM20X210CIN	50	17.5	29.5	20	16	7	15	M20	210	581	50
-	P54360.INM20X90CIN	60	19.5	32	22	16	7	15	M20	90	487	50
-	P54360.INM20X110CIN	60	19.5	32	22	16	7	15	M20	110	519	50
-	P54360.INM20X130CIN	60	19.5	32	22	16	7	15	M20	130	351	50
-	P54360.INM20X150CIN	60	19.5	32	22	16	7	15	M20	150	586	50
-	P54360.INM20X170CIN	60	19.5	32	22	16	7	15	M20	170	618	50
-	P54360.INM20X190CIN	60	19.5	32	22	16	7	15	M20	190	651	50
-	P54360.INM20X210CIN	60	19.5	32	22	16	7	15	M20	210	686	50
-	P54340.INM24X90CIN	40	15	26	17.5	19	7	15	M24	90	437	50
-	P54340.INM24X110CIN	40	15	26	17.5	19	7	15	M24	110	497	50
-	P54340.INM24X130CIN	40	15	26	17.5	19	7	15	M24	130	557	50
-	P54340.INM24X150CIN	40	15	26	17.5	19	7	15	M24	150	617	50
-	P54340.INM24X170CIN	40	15	26	17.5	19	7	15	M24	170	677	50
-	P54340.INM24X190CIN	40	15	26	17.5	19	7	15	M24	190	737	50
-	P54340.INM24X210CIN	40	15	26	17.5	19	7	15	M24	210	797	50
-	P54350.INM24X90CIN	50	17.5	29.5	20	19	7	15	M24	90	506	50
-	P54350.INM24X110CIN	50	17.5	29.5	20	19	7	15	M24	110	566	50
-	P54350.INM24X130CIN	50	17.5	29.5	20	19	7	15	M24	130	626	50
-	P54350.INM24X150CIN	50	17.5	29.5	20	19	7	15	M24	150	686	50
-	P54350.INM24X170CIN	50	17.5	29.5	20	19	7	15	M24	170	746	50
-	P54350.INM24X190CIN	50	17.5	29.5	20	19	7	15	M24	190	806	50
-	P54350.INM24X210CIN	50	17.5	29.5	20	19	7	15	M24	210	866	50
-	P54360.INM24X90CIN	60	19.5	32	22	19	7	15	M24	90	611	50
-	P54360.INM24X110CIN	60	19.5	32	22	19	7	15	M24	110	671	50
-	P54360.INM24X130CIN	60	19.5	32	22	19	7	15	M24	130	731	50
-	P54360.INM24X150CIN	60	19.5	32	22	19	7	15	M24	150	791	50
-	P54360.INM24X170CIN	60	19.5	32	22	19	7	15	M24	170	851	50
-	P54360.INM24X190CIN	60	19.5	32	22	19	7	15	M24	190	911	50
-	P54360.INM24X210CIN	60	19.5	32	22	19	7	15	M24	210	971	50

Attention: The expressed load limit F1 is lower than the break load by 30% and is intended as static.