

P542



AVP

Aisi 303

SBS

UL94 HB



FULL STEEL MOUNTING FOOT WITH ARTICULATED STEM TYPE B - BALL R12.4 AND NON-SLIP BASE

Materials:

P542:

Turned free-cutting steel mounting foot base.

P542CIN:

Turned stainless steel mounting foot base (Aisi 303).

Surface finish:

Smooth.

Colour:

P542:

Standard blue galvanising.

P542CIN:

Natural.

Inserts:

P542:

Galvanised steel threaded and articulated stem (ball R.12.5) with milled seat for wrench (type B) (thread tolerance 6g).

P542CIN:

Stainless steel threaded and articulated stem (ball R.12.5) with milled seat for wrench (type B) (Aisi 303) (thread tolerance 6g).

Stem fixing method:

The stem cannot be disassembled. The ball cannot be removed as the edge of its seat has been pressed in.

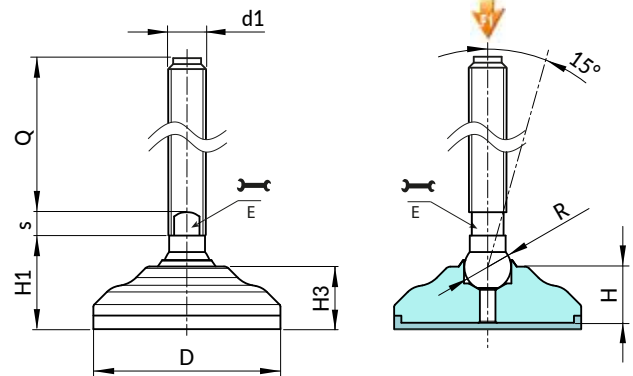
Non-slip base:

Non-slip base in thermoplastic rubber SBS 75 Shore, black RAL 9011.

Resistant to oils and greases. Push-fit assembly.

Special requests:

- Upon request and for special quantities inserts can be supplied with customised lengths.



Version P542: Galvanised steel mounting foot with stem type B (with milled seat for wrench) and ball R12.5 - with SBS non-slip base

Code	Art.	D	H	H1	H3	E	s	R	d1 _{6g}	Q		F1 (kN)
-	P54260.VZM16X50	60	19.5	32	32	13	7	12.5	M16	50	352	23
-	P54260.VZM16X70	60	19.5	32	32	13	7	12.5	M16	70	379	23
-	P54260.VZM16X90	60	19.5	32	32	13	7	12.5	M16	90	405	23
-	P54260.VZM16X110	60	19.5	32	32	13	7	12.5	M16	110	431	23
-	P54260.VZM16X130	60	19.5	32	32	13	7	12.5	M16	130	457	23
-	P54260.VZM16X150	60	19.5	32	32	13	7	12.5	M16	150	483	23
-	P54260.VZM16X170	60	19.5	32	32	13	7	12.5	M16	170	509	23

Attention: The expressed load limit F1 is lower than the break load by 30% and is intended as static. Customised stud length available for a minimum of 100 pieces.

Version P542CIN: Stainless steel foot with stem type B (with milled seat for wrench) and ball R12.5 - with SBS non-slip base



Code	Art.	D	H	H1	H3	E	s	R	d1 _{6g}	Q		F1 (kN)
-	P54260.INM16X50CIN	60	19.5	32	22	13	7	12.5	M16	50	352	23
-	P54260.INM16X70CIN	60	19.5	32	22	13	7	12.5	M16	70	379	23
-	P54260.INM16X90CIN	60	19.5	32	22	13	7	12.5	M16	90	405	23
-	P54260.INM16X110CIN	60	19.5	32	22	13	7	12.5	M16	110	431	23
-	P54260.INM16X130CIN	60	19.5	32	22	13	7	12.5	M16	130	457	23