

P540



FULL STEEL MOUNTING FOOT WITH ARTICULATED STEM TYPE A - BALL R12.4 AND NON-SLIP BASE

Materials:

P540:

Turned free-cutting steel mounting foot base.

P540CIN:

Turned stainless steel mounting foot base (Aisi 303).

Surface finish:

Smooth.

Colour:

P540:

Standard blue galvanising.

P540CIN:

Natural.

Inserts:

P540:

Galvanised steel threaded and articulated stem (ball R.12.5) with hexagonal base (thread tolerance 6g).

P540CIN:

Stainless steel threaded and articulated stem (ball R.12.5) with hexagonal base (Aisi 303) (thread tolerance 6g).

Stem fixing method:

The stem cannot be disassembled. The ball cannot be removed as the edge of its seat has been pressed in.

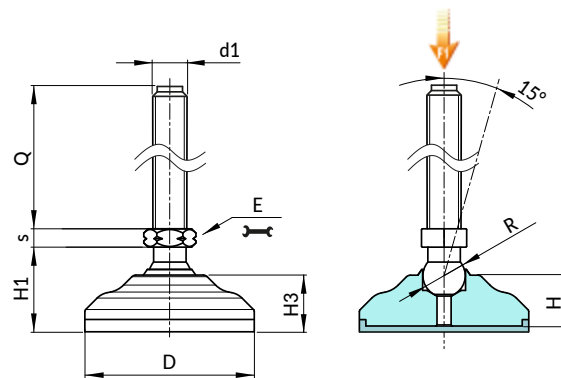
Non-slip base:

Non-slip base in thermoplastic rubber SBS 75 Shore, black RAL 9011.

Resistant to oils and greases. Push-fit assembly.

Special requests:

- Upon request and for special quantities inserts can be supplied with customised lengths.



Version P540: Galvanised steel mounting foot with stem type A (with hexagonal base) and ball R12.5 - with SBS non-slip base

Code	Art.	D	H	H1	H3	E	s	R	d1 _{6g}	Q	g	F1 (kN)
-	P54040.VZM08X45	40	15	26	17.5	13	5	12.5	M8	45	136	13
-	P54040.VZM08X70	40	15	26	17.5	13	5	12.5	M8	70	143	13
-	P54040.VZM10X45	40	15	26	17.5	13	5	12.5	M10	45	144	23
-	P54040.VZM10X70	40	15	26	17.5	13	5	12.5	M10	70	156	23
-	P54040.VZM10X100	40	15	26	17.5	13	5	12.5	M10	100	183	23
-	P54040.VZM12X45	40	15	26	17.5	13	5	12.5	M12	45	153	23
-	P54040.VZM12X70	40	15	26	17.5	13	5	12.5	M12	70	172	23
-	P54040.VZM12X100	40	15	26	17.5	13	5	12.5	M12	100	192	23
-	P54050.VZM08X45	50	17.5	29.5	20	13	5	12.5	M8	45	205	13
-	P54050.VZM08X70	50	17.5	29.5	20	13	5	12.5	M8	70	212	13
-	P54050.VZM10X45	50	17.5	29.5	20	13	5	12.5	M10	45	213	23
-	P54050.VZM10X70	50	17.5	29.5	20	13	5	12.5	M10	70	225	23
-	P54050.VZM10X100	50	17.5	29.5	20	13	5	12.5	M10	100	250	23
-	P54050.VZM12X45	50	17.5	29.5	20	13	5	12.5	M12	45	222	23
-	P54050.VZM12X70	50	17.5	29.5	20	13	5	12.5	M12	70	241	23
-	P54050.VZM12X100	50	17.5	29.5	20	13	5	12.5	M12	100	261	23
-	P54060.VZM08X45	60	19.5	32	22	13	5	12.5	M8	45	310	13
-	P54060.VZM08X70	60	19.5	32	22	13	5	12.5	M8	70	317	13
-	P54060.VZM10X45	60	19.5	32	22	13	5	12.5	M10	45	318	23
-	P54060.VZM10X70	60	19.5	32	22	13	5	12.5	M10	70	330	23
-	P54060.VZM10X100	60	19.5	32	22	13	5	12.5	M10	100	355	23
-	P54060.VZM12X45	60	19.5	32	22	13	5	12.5	M12	45	327	23
-	P54060.VZM12X70	60	19.5	32	22	13	5	12.5	M12	70	346	23
-	P54060.VZM12X100	60	19.5	32	22	13	5	12.5	M12	100	366	23

Attention: The expressed load limit F1 is lower than the break load by 30% and is intended as static. Customised stud length available for a minimum of 100 pieces.

Version P540CIN: Stainless steel mounting foot with stem type A (with hexagonal base) and ball R12.5 - with SBS non-slip base



Art.	D	H	H1	H3	E	s	R	d1 _{6g}	Q	g	F1 (kN)
P54040.INM08X..CIN	40	15	26	17.5	13	5	12.5	M8	45-70	136-143	13
P54040.INM10X..CIN	40	15	26	17.5	13	5	12.5	M10	45-70-100	144-156-183	23
P54040.INM12X..CIN	40	15	26	17.5	13	5	12.5	M12	45-70-100	153-172-192	23
P54050.INM08X..CIN	50	17.5	29.5	20	13	5	12.5	M8	45-70	205-212	13
P54050.INM10X..CIN	50	17.5	29.5	20	13	5	12.5	M10	45-70-100	213-225-250	23
P54050.INM12X..CIN	50	17.5	29.5	20	13	5	12.5	M12	45-70-100	222-241-261	23
P54060.INM08X..CIN	60	19.5	32	22	13	5	12.5	M8	45-70	310-317	13