

P534



FULL STEEL MOUNTING FOOT WITH ARTICULATED STEM TYPE A - BALL R24

Materials:

P534:

Turned free-cutting steel mounting foot base.

P534CIN:

Turned stainless steel mounting foot base (Aisi 303).

Surface finish:

Smooth.

Colour:

P534:

Standard blue galvanising.

P534CIN:

Natural.

Inserts:

P534:

Galvanised steel threaded and articulated stem (ball R.24) with hexagonal base (thread tolerance 6g).

P534CIN:

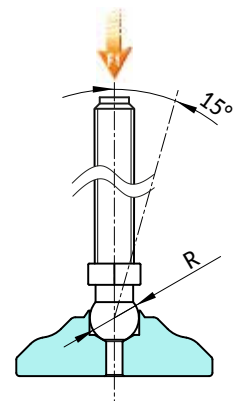
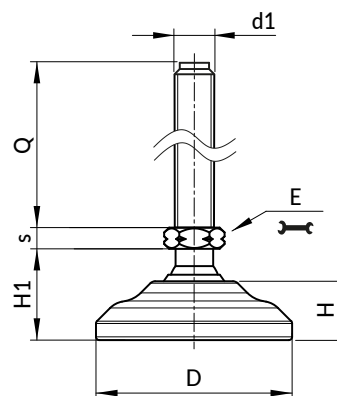
Stainless steel threaded and articulated stem (ball R.24) with hexagonal base (Aisi 303) (thread tolerance 6g).

Stem fixing method:

The stem cannot be disassembled. The ball cannot be removed as the edge of its seat has been pressed in.

Special requests:

- Upon request and for special quantities inserts can be supplied with customised lengths.



Version P534: Galvanised steel mounting foot with stem type A (with hexagonal base) and ball R24

Code	Art.	D	H	H1	E	s	R	d1 _{6g}	Q	g	F1 (kN)
-	P53460.VZM16X90	60	18	40	13	7	24	M16	90	-	60
-	P53460.VZM16X110	60	18	40	13	7	24	M16	110	-	60
-	P53460.VZM16X130	60	18	40	13	7	24	M16	130	-	60
-	P53460.VZM16X150	60	18	40	13	7	24	M16	150	-	60
-	P53460.VZM16X170	60	18	40	13	7	24	M16	170	-	60
-	P53460.VZM20X90	60	18	40	16	7	24	M20	90	-	90
-	P53460.VZM20X110	60	18	40	16	7	24	M20	110	-	90
-	P53460.VZM20X130	60	18	40	16	7	24	M20	130	-	90
-	P53460.VZM20X150	60	18	40	16	7	24	M20	150	-	90
-	P53460.VZM20X170	60	18	40	16	7	24	M20	170	-	90

Attention: The expressed load limit F1 is lower than the break load by 30% and is intended as static. Customised stud length available for a minimum of 100 pieces.

Version P534CIN: Stainless steel mounting foot with stem type A (with hexagonal base) and ball R24



Code	Art.	D	H	H1	E	s	R	d1 _{6g}	Q	g	F1 (kN)
-	P53460.INM16X90CIN	60	18	40	13	7	24	M16	90	-	60
-	P53460.INM16X110CIN	60	18	40	13	7	24	M16	110	-	60
-	P53460.INM16X130CIN	60	18	40	13	7	24	M16	130	-	60
-	P53460.INM16X150CIN	60	18	40	13	7	24	M16	150	-	60
-	P53460.INM20X90CIN	60	18	40	16	7	24	M20	90	-	90
-	P53460.INM20X110CIN	60	18	40	16	7	24	M20	110	-	90
-	P53460.INM20X130CIN	60	18	40	16	7	24	M20	130	-	90
-	P53460.INM20X150CIN	60	18	40	16	7	24	M20	150	-	90
-	P53460.INM20X170CIN	60	18	40	16	7	24	M20	170	-	90