

P530



FULL STEEL MOUNTING FOOT WITH ARTICULATED STEM TYPE A - BALL R12.5

Materials:

P530:

Turned free-cutting steel mounting foot base.

P530CIN:

Turned stainless steel mounting foot base (Aisi 303).

Surface finish:

Smooth.

Colour:

P530:

Standard blue galvanising.

P530CIN:

Natural.

Inserts:

P530:

Galvanised steel threaded and articulated stem (ball R.12.5) with hexagonal base (thread tolerance 6g).

P530CIN:

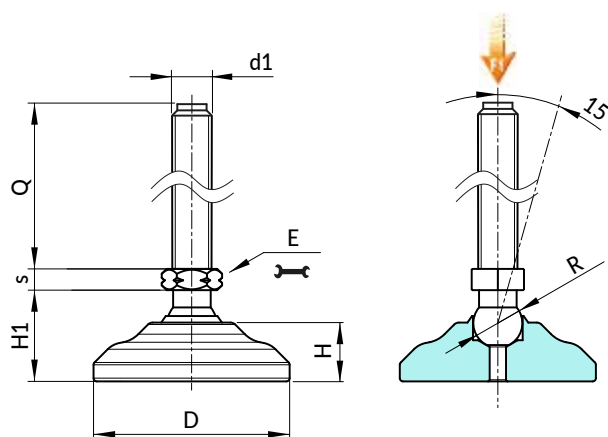
Stainless steel threaded and articulated stem (ball R.12.5) with hexagonal base (Aisi 303) (thread tolerance 6g).

Stem fixing method:

The stem cannot be disassembled. The ball cannot be removed as the edge of its seat has been pressed in.

Special requests:

- Upon request and for special quantities inserts can be supplied with customised lengths.



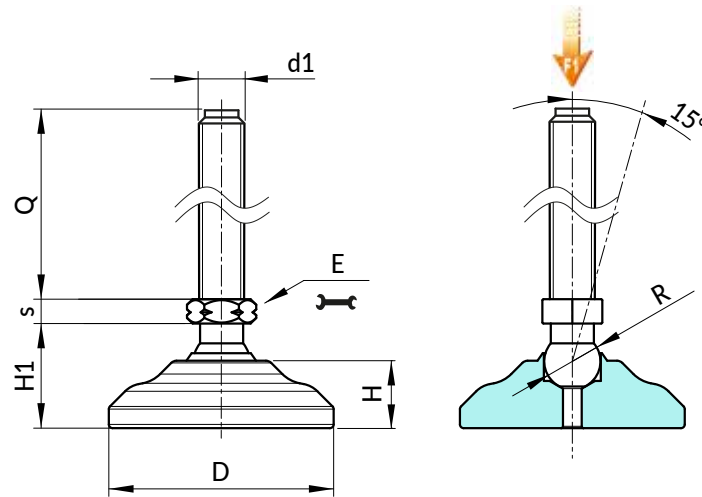
Version P530: Galvanised steel mounting foot with stem type A (with hexagonal base) and ball R12.5

Code	Art.	D	H	H1	E	s	R	d1 _{6g}	Q	g	F1 (kN)
-	P53040.VZM08X45	40	11,5	20	13	5	15	M8	45	132	50
-	P53040.VZM08X70	40	11,5	20	13	5	15	M8	70	139	50
-	P53040.VZM10X045	40	11,5	20	13	5	12,5	M10	45	140	23
-	P53040.VZM10X070	40	11,5	20	13	5	12,5	M10	70	152	23
-	P53040.VZM10X100	40	11,5	20	13	5	12,5	M10	100	179	23
-	P53040.VZM12X045	40	11,5	20	13	5	12,5	M12	45	149	23
-	P53040.VZM12X070	40	11,5	20	13	5	12,5	M12	70	168	23
-	P53040.VZM12X100	40	11,5	20	13	5	12,5	M12	100	188	23
-	P53060.VZM08X045	60	18	28	13	5	12,5	M8	45	295	13
-	P53060.VZM08X070	60	18	28	13	5	12,5	M8	70	302	13
-	P53050.VZM10X045	50	13,5	23	13	5	12,5	M10	45	203	23
-	P53050.VZM10X070	50	13,5	23	13	5	12,5	M10	70	215	23
-	P53050.VZM10X100	50	13,5	23	13	5	12,5	M10	100	240	23
-	P53050.VZM12X045	50	13,5	23	13	5	12,5	M12	45	212	23
-	P53050.VZM12X070	50	13,5	23	13	5	12,5	M12	70	231	23
-	P53050.VZM12X100	50	13,5	23	13	5	12,5	M12	100	251	23
-	P53060.VZM08X045	60	18	28	13	5	12,5	M8	45	295	13
-	P53060.VZM08X070	60	18	28	13	5	12,5	M8	70	302	13
-	P53060.VZM10X045	60	18	28	13	5	12,5	M10	45	303	23
-	P53060.VZM10X070	60	18	28	13	5	12,5	M10	70	315	23
-	P53060.VZM10X100	60	18	28	13	5	12,5	M10	100	340	23
-	P53060.VZM12X045	60	18	28	13	5	12,5	M12	45	312	23
-	P53060.VZM12X070	60	18	28	13	5	12,5	M12	70	331	23
-	P53060.VZM12X100	60	18	28	13	5	12,5	M12	100	351	23

P530



FULL STEEL MOUNTING FOOT WITH ARTICULATED STEM TYPE A - BALL R12.5



Version P530CIN: Stainless steel mounting foot with stem type A (with hexagonal base) and ball R12.5

INOX

Code	Art.	D	H	H1	E	s	R	d1 _{6g}	Q		F1 (kN)
-	P53040.INM08X045CIN	40	11,5	20	13	5	12,5	M8	45	132	13
-	P53040.INM08X070CIN	40	11,5	20	13	5	12,5	M8	70	139	13
-	P53040.INM10X045CIN	40	11,5	20	13	5	12,5	M10	45	140	23
-	P53040.INM10X70CIN	40	11,5	20	13	5	12,5	M10	70	152	23
-	P53040.INM10X100CIN	40	11,5	20	13	5	12,5	M10	100	179	23
-	P53040.INM12X045CIN	40	11,5	20	13	5	12,5	M12	45	149	23
-	P53040.INM12X070CIN	40	11,5	20	13	5	12,5	M12	70	168	23
-	P53040.INM12X100CIN	40	11,5	20	13	5	12,5	M12	100	188	23
-	P53050.INM08X045CIN	50	13,5	23	13	5	12,5	M8	45	195	13
-	P53050.INM08X070CIN	50	13,5	23	13	5	12,5	M8	70	202	13
-	P53050.INM10X045CIN	50	13,5	23	13	5	12,5	M10	45	203	23
-	P53050.INM10X070CIN	50	13,5	23	13	5	12,5	M10	70	215	23
-	P53050.INM10X100CIN	50	13,5	23	13	5	12,5	M10	100	240	23
-	P53050.INM12X045CIN	50	13,5	23	13	5	12,5	M12	45	212	23
-	P53050.INM12X070CIN	50	13,5	23	13	5	12,5	M12	70	231	23
-	P53050.INM12X100CIN	50	13,5	23	13	5	12,5	M12	100	251	23
-	P53060.INM08X045CIN	60	18	28	13	5	12,5	M8	45	295	13
-	P53060.INM08X070CIN	60	18	28	13	5	12,5	M8	70	302	13
-	P53060.INM10X045CIN	60	18	28	13	5	12,5	M10	45	303	23
-	P53060.INM10X070CIN	60	18	28	13	5	12,5	M10	70	315	23
-	P53060.INM10X100CIN	60	18	28	13	5	12,5	M10	100	340	23
-	P53060.INM12X045CIN	60	18	28	13	5	12,5	M12	45	312	23
-	P53060.INM12X070CIN	60	18	28	13	5	12,5	M12	70	331	23
-	P53060.INM12X100CIN	60	18	28	13	5	12,5	M12	100	351	23