

P202

MOUNTING FOOT WITH FIXED THREADED STUD



Materials:

High density polyethylene.

Surface finish:

Satin.

Colour:

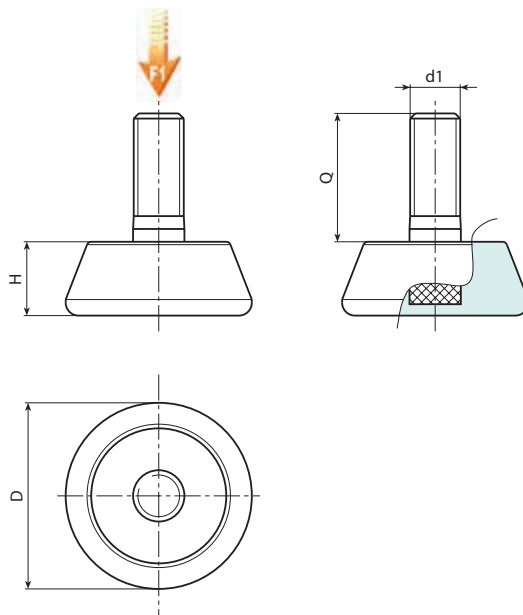
Black (RAL 9011).

Inserts:

Galvanised steel threaded stud (thread tolerance 6g).

Special requests:

- Upon request and for special quantities inserts can be supplied with customised lengths (minimum quantity 10,000).



Code	Art.	D	H	d1 _{6g}	Q	g	F1 (N)
-	P20230.TM08X2001	29	11.5	M8	20	17	1000
-	P20230.TM10X2001	29	11.5	M10	20	20	1000
-	P20240.TM08X2501	40	13.5	M8	25	29	1000
-	P20240.TM10X2501	40	13.5	M10	25	33	1000
-	P20250.TM10X3501	48.5	16.5	M10	35	54	1000
-	P20250.TM12X3501	48.5	16.5	M12	35	65	1000
-	P20260.TM10X3701	60.5	17.5	M10	37	78	1000
-	P20260.TM12X3701	60.5	17.5	M12	37	8	1000

Attention: The expressed load limit F1 is lower than the break load by 30% and is intended as static.