

P201

MOUNTING FOOT WITH REVOLVING THREADED STUD



Materials:

High density polyethylene.

Surface finish:

Satin.

Colour:

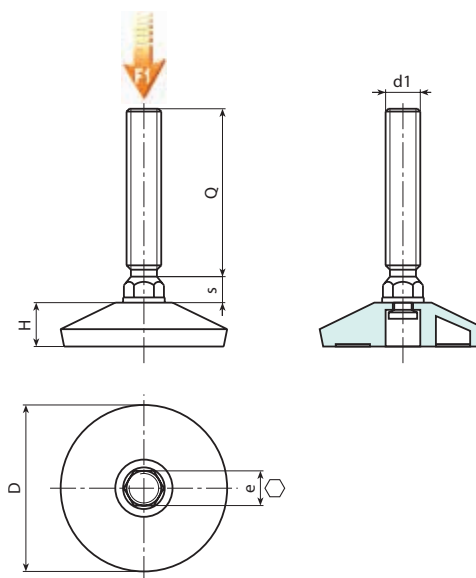
Black (RAL 9011).

Inserts:

Revolving threaded stud in galvanised steel (thread tolerance 6g).

Special requests:

- Upon request and for special quantities inserts can be supplied with customised lengths (minimum quantity 10,000).



P

Code	Art.	D	H	e	s	d1 _{6g}	Q	g	F1 (N)
-	P20140.TM10X2501	37	11.5	10	6	M10	25	28	2000
-	P20150.TM10X3001	48.5	12.5	10	6	M10	30	35	2000
-	P20150.TM12X3501	49	13	12	6	M12	35	48	2000

Attention: The expressed load limit F1 is lower than the break load by 30% and is intended as static.

