

O505

ASYMMETRICAL FLAT ZAMAK HINGE WITH THREADED STUD



Materials:

(1) Die-cast zamak alloy (zinc, aluminium and copper alloy).

Surface finish:

Colour:

(01) Black epoxy powder coated (RAL 9011).

(Z) Standard blue galvanising.

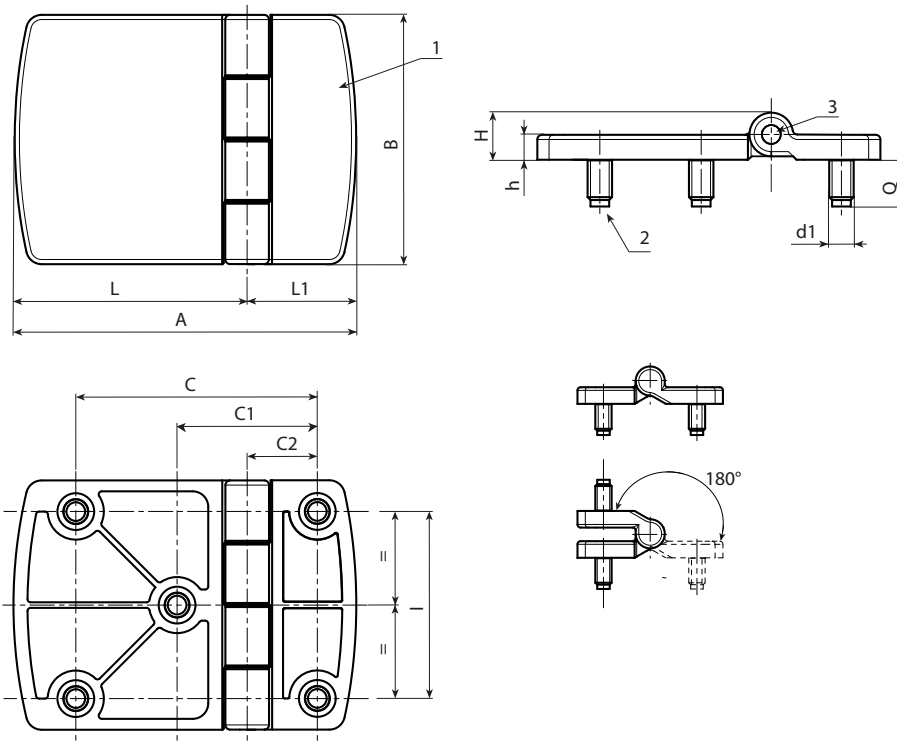
Inserts:

(2) Galvanised steel threaded stud (thread tolerance 6g).

(3) Stainless steel hinge pivot pin (Aisi 304).

Special Requests:

- None.



Black coated version code 01 ending.

| Code | Art. | C2 | C1 | C | I | A | B | L1 | L | h | H | d1 _{6g} | Q | |
|------|-------------------|------|----|------|----|-----|----|----|----|---|----|------------------|----|-----|
| - | O505077.ZM08X1401 | 22,5 | 45 | 77,5 | 60 | 110 | 80 | 35 | 75 | 8 | 15 | M8 | 15 | 387 |

Galvanised version code Z ending.

| Code | Art. | C2 | C1 | C | I | A | B | L1 | L | h | H | d1 _{6g} | Q | |
|------|------------------|------|----|------|----|-----|----|----|----|---|----|------------------|----|-----|
| - | O505077.ZM08X14Z | 22,5 | 45 | 77,5 | 60 | 110 | 80 | 35 | 75 | 8 | 15 | M8 | 15 | 387 |