

# O452



## UNIVERSAL HINGE WITH THREADED INSERT TO MOUNT ANGULAR DOOR

### Materials:

Reinforced polyamide.  
Resistant to oils and greases.

### Surface finish:

Satin.

### Colour:

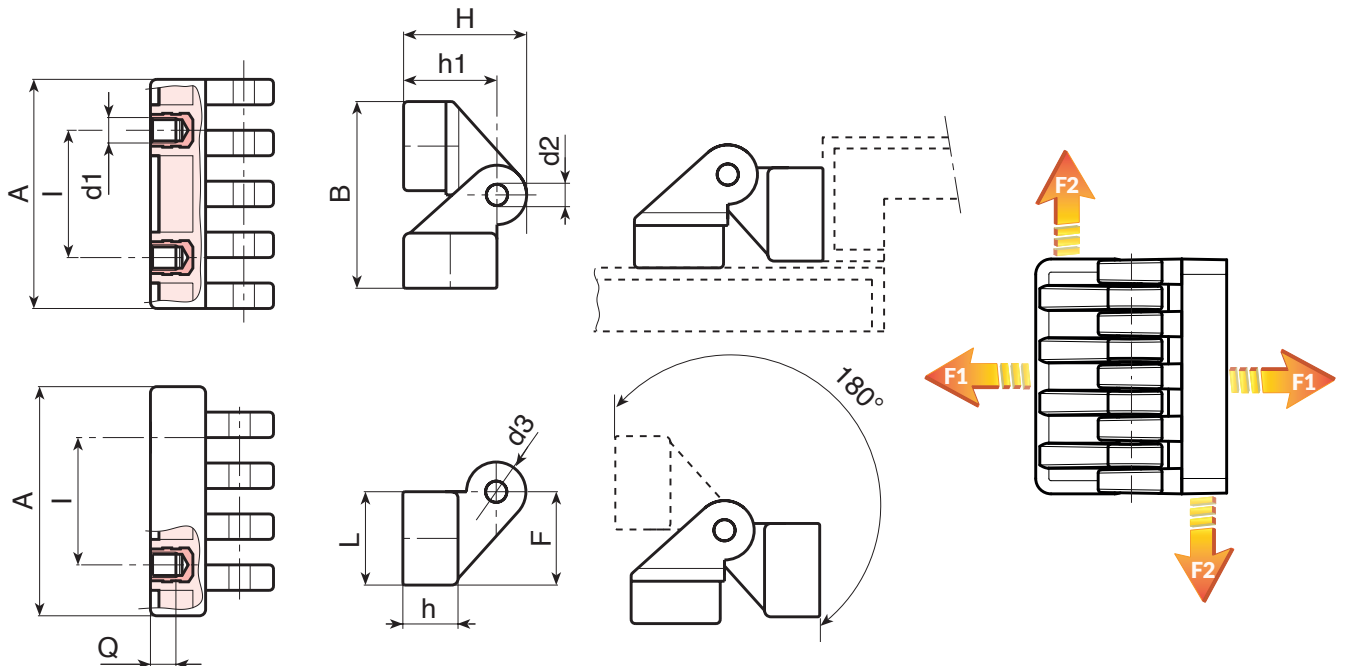
Black (RAL 9011).

### Inserts:

Galvanised steel pin.  
Brass insert with female threaded hole (thread tolerance 6H).  
(\*) Galvanised steel insert with female threaded hole (thread tolerance 6H).

### Special Requests:

- None.



Code	art.	I	C	A	B	L	F	h	h1	H	d2	d3	d16H	Q	F1 (N)	F2 (N)
-	O45230.TM0501	15	28	30	36,5	17	17,5	11	19	24,5	4	11	M5	6	26	1180 1130
-	O45254.TM0601	30	33,8	54	44,5	21,5	22	13	22,5	30	5	15	M6	7	58	1520 2980
-	O45278.TM0801	42	47	78	62	30	30,5	18,5	31,5	42,5	8	22	(*)M8	9	178	885 2875