

O451

+135°
-30°

PA6
+G.F.

UL94
HB

RoHS
COMPLIANT

UNIVERSAL HINGE WITH THREADED STUD TO MOUNT STRAIGHT DOOR

Materials:

Reinforced polyamide.
Resistant to oils and greases.

Surface finish:

Satin.

Colour:

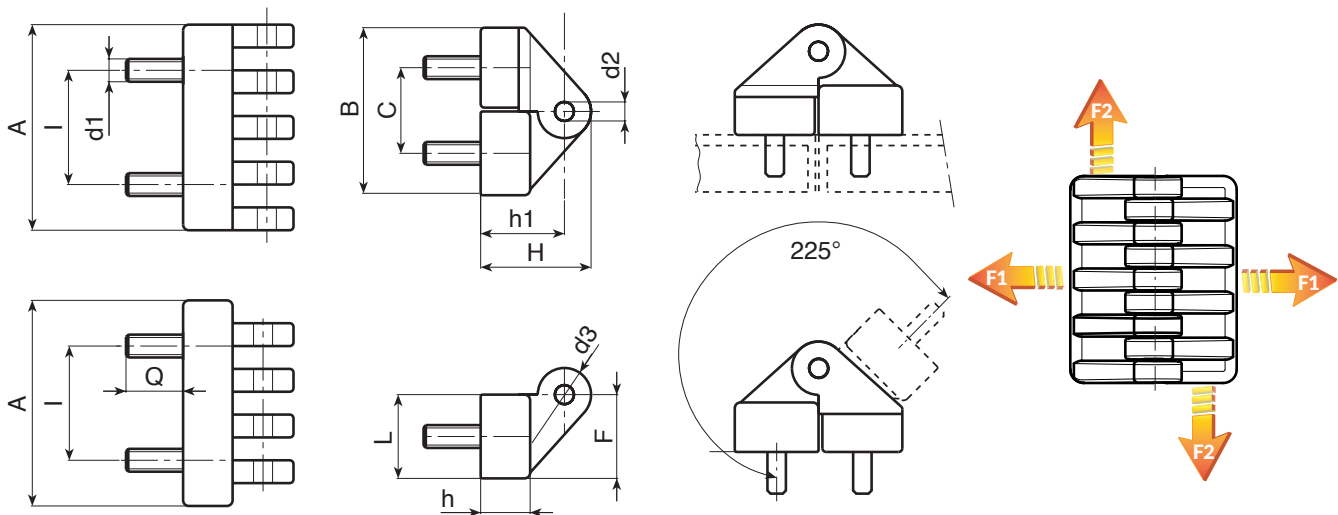
Black (RAL 9011).

Inserts:

Galvanised steel pin.
Galvanised steel threaded stud (thread tolerance 6g).

Special Requests:

- None.



Code	art.	I	C	A	B	L	F	h	h1	H	d2	d3	d16g	Q	g	F1 (N)	F2 (N)
-	O45130.TM05X1001	15	18	30	35	17	17,5	11	19	24,5	4	11	M5	10	38	690	1080
-	O45154.TM06X1501	30	22,5	54	44	21,5	22	13	22,5	30	5	15	M6	15	72	295	1670
-	O45178.TM08X2001	42	31	78	61	30	30,5	18,5	31,5	42,5	8	22	M8	20	190	1025	2830