

O450

+135°
-30°

PA6
+G.F.

UL94
HB

RoHS
COMPLIANT

UNIVERSAL HINGE WITH THREADED INSERT TO MOUNT STRAIGHT DOOR

Materials:

Reinforced polyamide.
Resistant to oils and greases.

Surface finish:

Satin.

Colour:

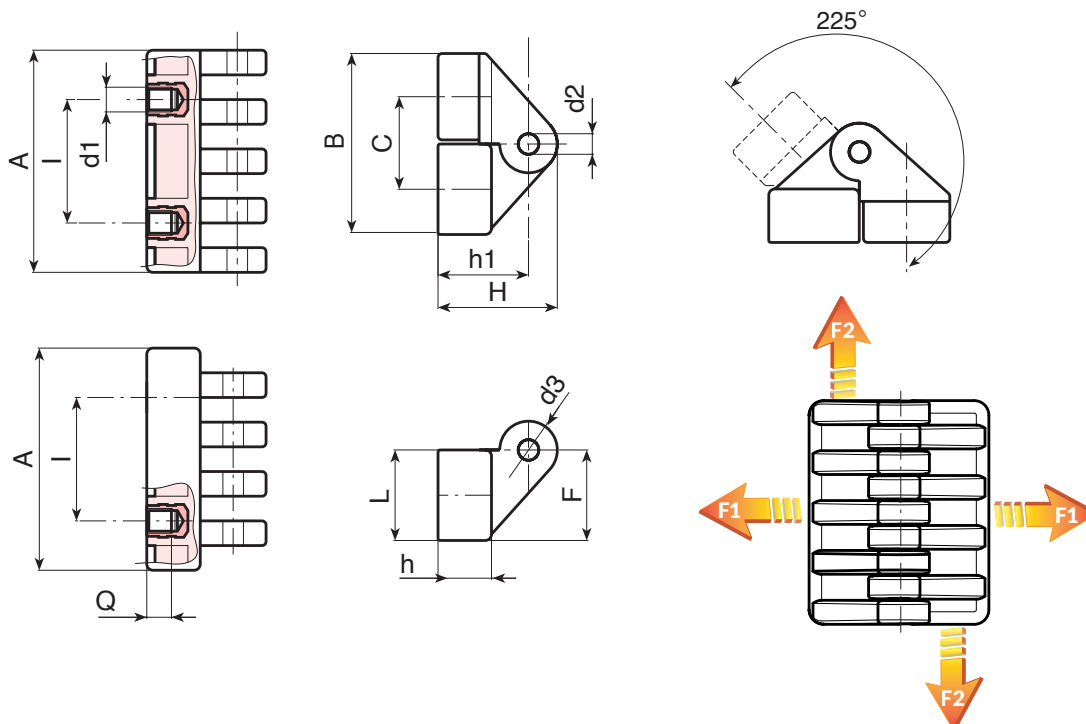
Black (RAL 9011).

Inserts:

Galvanised steel pin.
Brass insert with female threaded hole (thread tolerance 6H).
(* Galvanised steel insert with female threaded hole (thread tolerance 6H)).

Special Requests:

- None.



Code	art.	I	C	A	L	B	F	h	h1	H	d2	d3	d16H	Q	g	F1 (N)	F2 (N)
-	O45030.TM0501	15	18	30	17	35	17,5	11	19	24,5	4	11	M5	6	26	1180	1130
-	O45054.TM0601	30	22,5	54	21,5	44	22	13	22,5	30	5	15	M6	7	58	1520	2980
-	O45078.TM0801	42	31	78	30	61	30,5	18,5	31,5	42,5	8	22	(*) M8	9	178	885	2875