

O300CIN

STAINLESS STEEL HINGE WITH THROUGH HOLES



INOX

Materials:

Stainless steel (Aisi 316).

Surface finish:

Natural brushing.

Colour:

Natural.

Inserts:

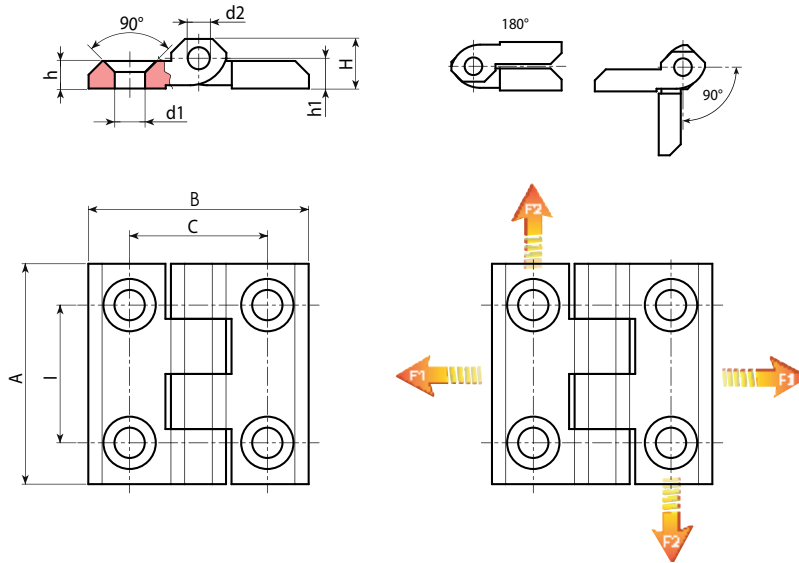
Stainless steel pivot pin (Aisi 303).

Holes:

Through holes obtained by moulding. 90° countersunk hole for UNI 5933 – UNI 6109 screws.

Special Requests:

- None.



Code	Art.	I	C	A	B	H	h	h1	d2	d1	g	F1 (N)	F2 (N)
-	O30025.HG5.5CIN	25	25	40	40	9	5	5,5	4	5,5	60	-	-
-	O30030.HG6.5CIN	30	30	50	50	11,5	5,5	6,5	6	6,5	100	19600	9800
-	O30036.HG8.5CIN	36	36	60	60	15	8	8,5	8	8,5	190	-	-