

# N775



## 4-LOBE CONTROL KNOB WITH THREADED HOLE INSERT

### Materials:

Reinforced polyamide.  
Resistant to oils and greases.

### Surface finish:

Satin.

### Colour:

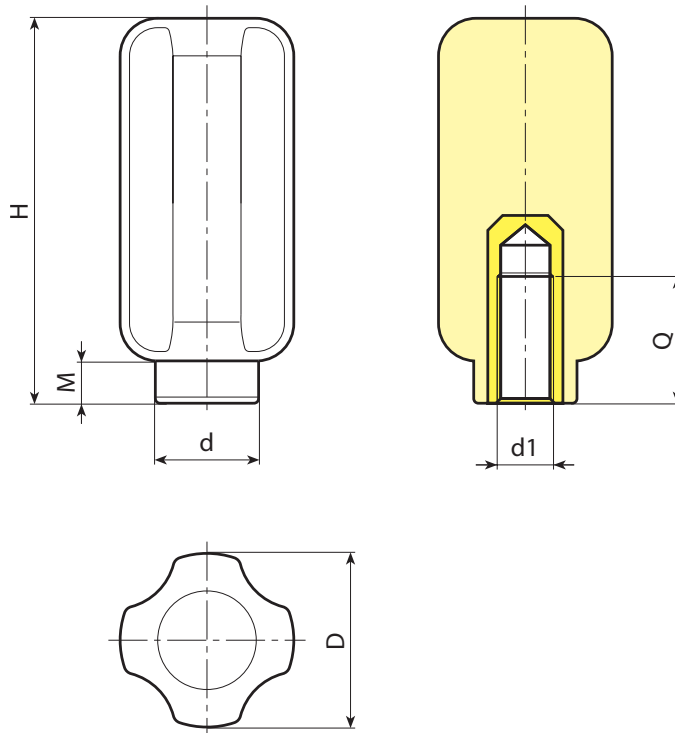
Black (RAL 9011).

### Inserts:

Galvanised steel insert with female threaded hole (thread tolerance 6H).

### Special requests:

- Upon request and for special quantities inserts can be supplied in different materials.



Code	Art.	D	H	M	d	d1 <sub>6H</sub>	Q	
-	N77538.TM0801	37	81	9	22	M8	20	94
-	N77538.TM1001	37	81	9	22	M10	20	128
-	N77538.TM1201	37	81	9	22	M12	30	142
-	N77538.TM1401	37	81	9	22	M14	29	135
-	N77538.TM1601	37	81	9	22	M16	18	116