

N742



KNURLED KNOB WITH INSERT WITH SMOOTH HOLE

Materials:

Reinforced polyamide.
Resistant to oils and greases.

Surface finish:

Satin.

Colour:

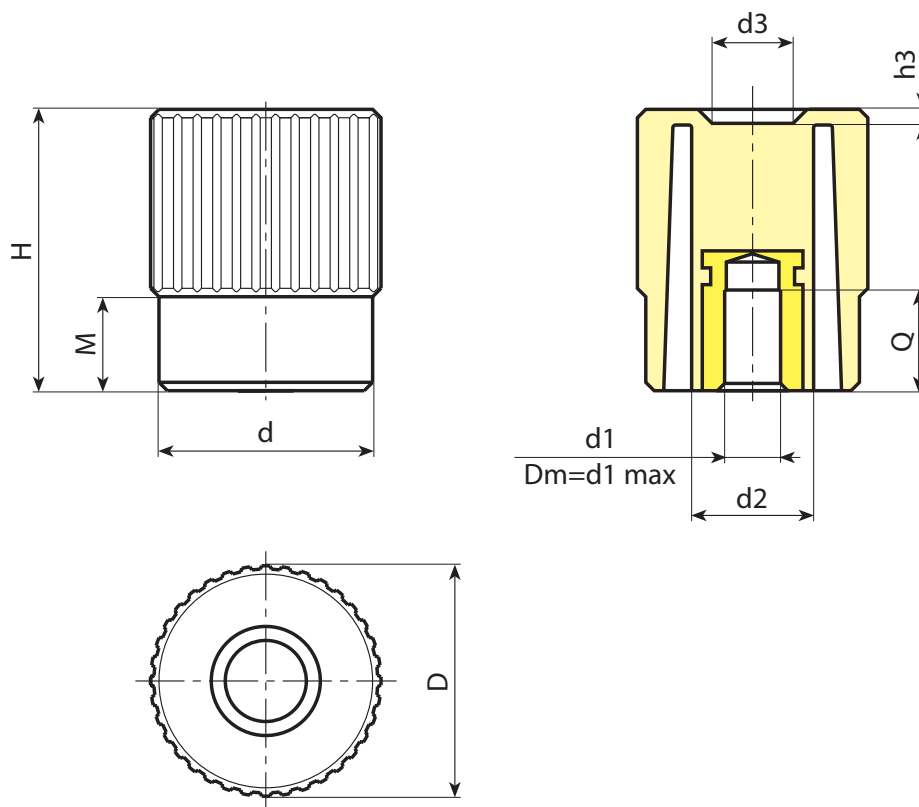
Black (RAL 9011).

Inserts:

Galvanised steel insert with blind smooth bore (bore tolerance H10).

Special requests:

- Upon request and for special quantities inserts can be supplied with custom hole diameter d_1 .
- Upon request and for special quantities inserts can be supplied in different materials/with different coatings.
- Upon request and for special quantities available in the colours indicated in the chart [page].



Code	Art.	D	H	M	d	d2	d3	h3	Dm	d1 _{H10}	Q	
-	N74240.TP0501	42	50,5	17	38	22	15,5	2,5	12	5	20	90
-	N74240.TD1001	42	50,5	17	38	22	15,5	2,5	12	10	18	85

Attention: For a minimum of 100 pieces the diameter d_1 can be produced with the requested diameter with H10 tolerance.
Dm = Maximum obtainable diameter for subsequent machining. (widening)