

N740

KNURLED CONTROL KNOB WITH THREADED HOLE INSERT



Materials:

Reinforced polyamide.
Resistant to oils and greases.

Surface finish:

Satin.

Colour:

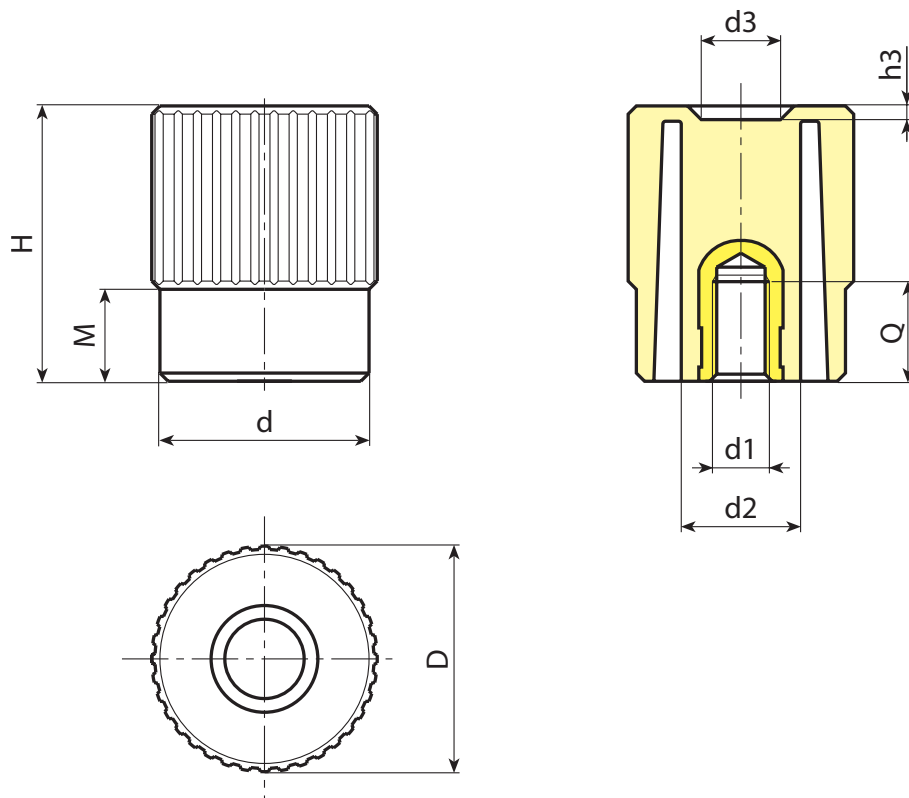
Black (RAL 9011).

Inserts:

Brass insert with female threaded hole (thread tolerance 6H).

Special requests:

- Upon request and for special quantities inserts can be supplied in different materials.
- Upon request and for special quantities available in the colours indicated in the chart (attention: reduced range) [page].



N

Code	Art.	D	H	M	d	d2	d3	h3	d1 _{6H}	Q	g
-	N74040.TM0801	42	50,5	17	38	22	15,5	2,5	M8	18	65
-	N74040.TM1001	42	50,5	17	38	22	15,5	2,5	M10	22	66
-	N74040.TM1201	42	50,5	17	38	22	15,5	2,5	M12	17	68
-	N74040.TM1401	42	50,5	17	38	22	15,5	2,5	M14	17	69