

N290



STAINLESS STEEL INDEXED CONTROL KNOB WITH HANDLE

Material:

5. Reinforced polyamide handle. Resistant to oils and greases (M138).
1. Turned fixing cap in stainless steel (Aisi 303) with hexagon for key.
2. Turned knob body in stainless steel (Aisi 303) with 60-position tothing (6° indexing).
3. Stainless steel spring (Aisi 302).
4. Fixing base in stainless steel (Aisi 303) with 60-position tothing.
6. Fastening snap ring in stainless steel, (Aisi 420) DIN 471.
7. Turned handle holder stem in stainless steel, (Aisi 303).
8. Turned bush with hole and key to connect to the shaft, in stainless steel (Aisi 303) and 60-position tothing.

Surface finish:

5. Satin.
- 1-2-4-7-8. Turned with low roughness.

Colour:

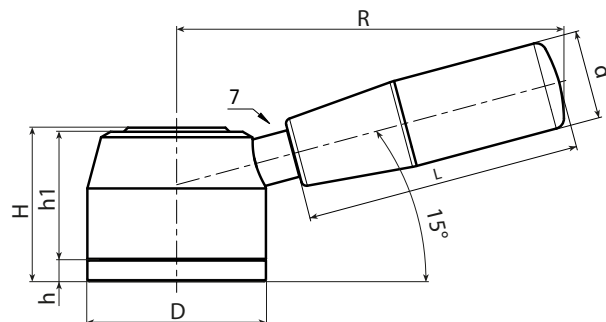
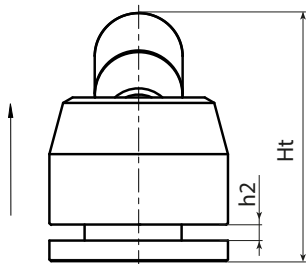
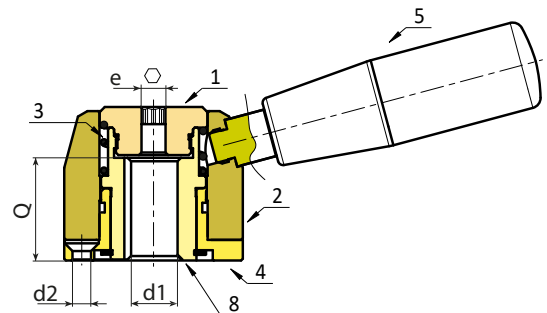
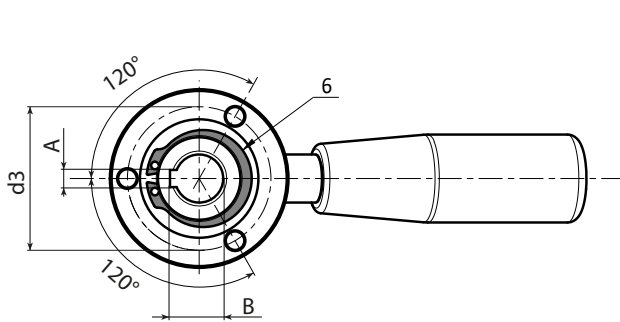
5. Black (RAL 9011).
- 1-2-4-7-8. Natural.

Fastening to the machine:

First of all, the knob must be dismantled, unscrewing the cap (1) and removing the spring and knob body. Then secure the base (4) to the equipment by means of the three M5 countersunk head screws UNI 5933 (not supplied), after first inserting the shaft in hole d1 and then inserting the key. Then re-assemble the knob body (2), the spring (3) and tighten everything through cap (1).

Special requests:

- Upon request and for special quantities the knob can be supplied in different materials.
- Upon request and for special quantities a graduated scale can be engraved on the cylindrical side of the knob body.



Code	Art.	D	H	Ht	h	h1	h2	R	d	L	d2	e	d3	AH9	B	d1H7	Q	g
-	N29052.IND14CIN	52	44	75	6	37,5	5	112	26	79	5,5	6	41.8	5	15.5	14	30	680