

N250



PA6
+G.F.

UL94
HB



KNURLED KNOB WITH INSERT WITH SMOOTH HOLE AND FLANGE

Materials:

Control knob and flange:

Reinforced polyamide.
Resistant to oils and greases.

Surface finish:

Control knob and flange:

Satin.

Colour:

Knob:

Black (RAL 9011 code 01).

Flange and cap:

Black (RAL 9011 code 01).

Grey (RAL 7035 code 13).

Cap:

Central cap in polyamide.

Inserts:

Galvanised steel insert with smooth through bore (tolerance H10).

Fixing screws:

3 galvanised self-tapping screws 2.9x9.5 UNI6954.

Scale:

Black pad-printed on grey flange;

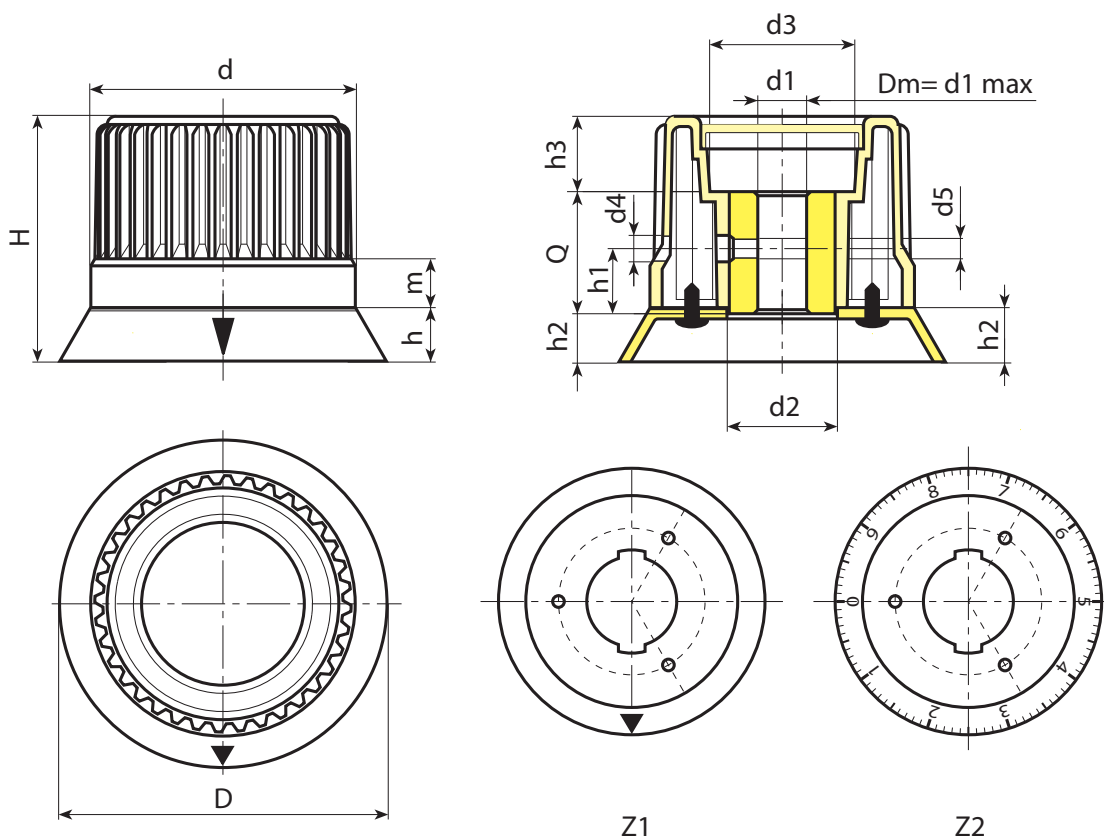
Grey pad-printed on black flange;

For flange with arrow only: version Z1.

For flange with numbers from 0 to 9 with 100 graduations: version Z2.

Special requests:

- Upon request and for special quantities inserts can be supplied with custom hole diameter $d1$.
- Upon request and for special quantities inserts can be supplied in different materials/with different coatings.
- Upon request and for special quantities available in the colours indicated in the chart [page].



N250

KNURLED KNOB WITH INSERT WITH SMOOTH HOLE AND FLANGE



N

Version with grey (RAL 7035 code no. 13) flange and cap, and black arrow.

Code	Art.	D	H	h	m	d	d2	d3	d4	d5	h1	h2	h3	Dm	d1 _{H10}	Q	g
-	N25030.TD060113Z1	38	37	7	11,5	30	20	18	4,5	M4	16	5,5	5,5	12	6	26	85
-	N25043.TD080113Z1	53,5	45	9	11,5	43	23,5	23	5,5	M5	16	7,5	13,5	12	8	24	98
-	N25054.TD080113Z1	67	53	11	12	54	27,5	31	5,5	M5	16	9,5	13,5	14	8	30	170
-	N25065.TD080113Z1	80	60	13	12	65	27,5	36	5,5	M5	16	11,5	19	16	8	30	190
-	N25078.TD080113Z1	93	67	13	12,5	78	31,5	50	6,5	M6	18	11,5	23,5	18	8	32	290

Version with black flange and cap, and grey arrow.

Code	Art.	D	H	h	m	d	d2	d3	d4	d5	h1	h2	h3	Dm	d1 _{H10}	Q	g
-	N25030.TD0601Z1	38	37	7	11,5	30	20	18	4,5	M4	16	5,5	5,5	12	6	26	85
-	N25043.TD0801Z1	53,5	45	9	11,5	43	23,5	23	5,5	M5	16	7,5	13,5	12	8	24	98
-	N25054.TD0801Z1	67	53	11	12	54	27,5	31	5,5	M5	16	9,5	13,5	14	8	30	170
-	N25065.TD0801Z1	80	60	13	12	65	27,5	36	5,5	M5	16	11,5	19	16	8	30	190
-	N25078.TD0801Z1	93	67	13	12,5	78	31,5	50	6,5	M6	18	11,5	23,5	18	8	32	290

Version with grey (RAL 7035 code no. 13) flange and cap, and black graduated scale.

Code	Art.	D	H	h	m	d	d2	d3	d4	d5	h1	h2	h3	Dm	d1 _{H10}	Q	g
-	N25030.TD060113Z2	38	37	7	11,5	30	20	18	4,5	M4	16	5,5	5,5	12	6	26	85
-	N25043.TD080113Z2	53,5	45	9	11,5	43	23,5	23	5,5	M5	16	7,5	13,5	12	8	24	98
-	N25054.TD080113Z2	67	53	11	12	54	27,5	31	5,5	M5	16	9,5	13,5	14	8	30	170
-	N25065.TD080113Z2	80	60	13	12	65	27,5	36	5,5	M5	16	11,5	19	16	8	30	190
-	N25078.TD080113Z2	93	67	13	12,5	78	31,5	50	6,5	M6	18	11,5	23,5	18	8	32	290

Version with black flange and cap, and grey graduated scale.

Code	Art.	D	H	h	m	d	d2	d3	d4	d5	h1	h2	h3	Dm	d1 _{H10}	Q	g
-	N25030.TD0601Z2	38	37	7	11,5	30	20	18	4,5	M4	16	5,5	5,5	12	6	26	85
-	N25043.TD0801Z2	53,5	45	9	11,5	43	23,5	23	5,5	M5	16	7,5	13,5	12	8	24	98
-	N25054.TD0801Z2	67	53	11	12	54	27,5	31	5,5	M5	16	9,5	13,5	14	8	30	170
-	N25065.TD0801Z2	80	60	13	12	65	27,5	36	5,5	M5	16	11,5	19	16	8	30	190
-	N25078.TD0801Z2	93	67	13	12,5	78	31,5	50	6,5	M6	18	11,5	23,5	18	8	32	290

Attention: For a minimum of 100 pieces the diameter d1 can be produced with the requested diameter with H10 tolerance.
Dm = Maximum obtainable diameter for subsequent machining (widening).