

# N245

## KNURLED CONTROL KNOB WITH THREADED STUD



PA6  
+G.F.

UL94  
HB



### Materials:

Reinforced polyamide.  
Resistant to oils and greases.

### Surface finish:

Satin.

### Colour:

Black (RAL 9011).

### Cap:

Central cap in grey polyamide (RAL 7035).

### Inserts:

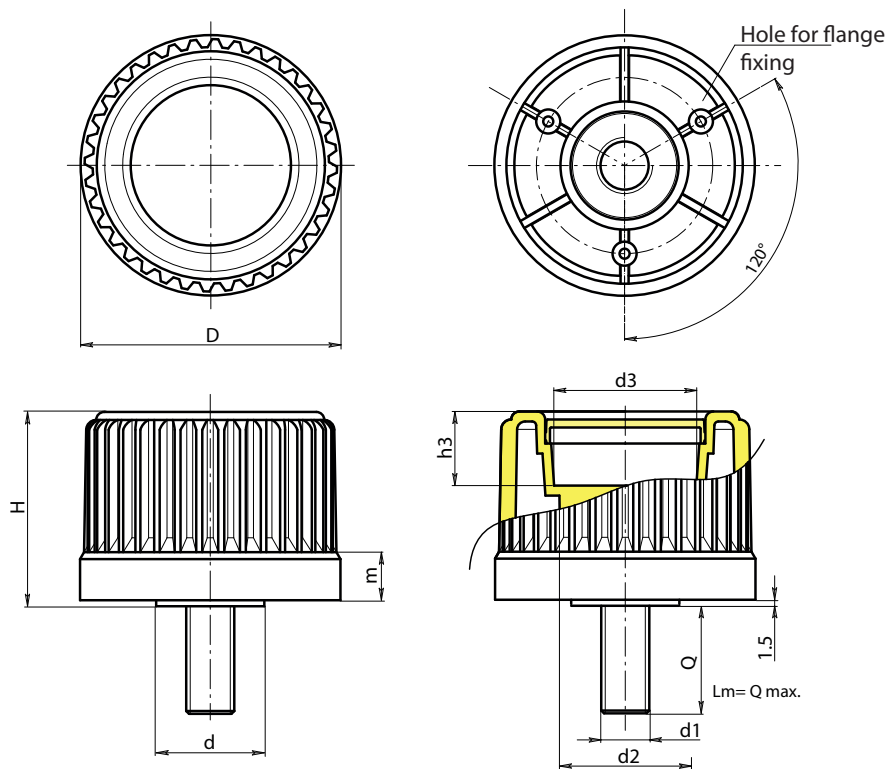
Galvanised steel threaded stud (thread tolerance 6g).

### Notes:

(\*) Side NFLAN flange fixing (optional).

### Special requests:

- Upon request and for special quantities inserts can be supplied with customised lengths.
- Upon request and for special quantities inserts can be supplied in different materials/with different coatings.
- Upon request and for special quantities available in the colours indicated in the chart (attention: reduced range) [page ].



Code	Art.	D	H	m	d	d2	d3	h3	LM	d1 <sub>6g</sub>	Q	
-	N24530.TM10X200113(*)	30	31,5	11,5	20	20	18	5,5	80	M10	20	40
-	N24543.TM12X300113	43	37,5	11,5	22	27,5	23	13,5	90	M12	30	-
-	N24554.TM12X300113	54	43,5	12	26	32	31	13,5	100	M12	30	-
-	N24565.TM16X300113	65	48,5	12	27	32	36	18,5	120	M16	30	-
-	N24578.TM16X300113	78	55,5	12,5	31	36	50	23,5	120	M16	30	-

LM = maximum mouldable length.  
Customised stud length available for a minimum of 200 pieces.