

N244



CONTROL KNOB WITH METAL INSERT AND THROUGH HOLE

Materials:

Reinforced polyamide.
Resistant to oils and greases.

Surface finish:

Satin.

Colour:

Black (RAL 9011).

Inserts:

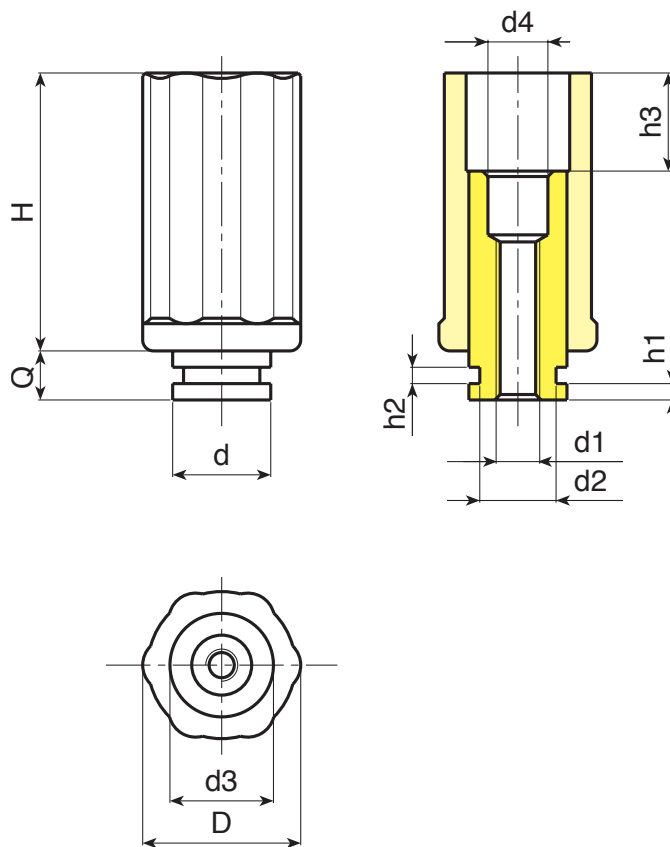
Galvanised steel insert with threaded through hole and empty body top (6H thread tolerance).

Special requests:

- None.



N



Code	Art.	D	H	d3	h3	Q	d	d1	d2	d4	h1	h2	🔒
-	N24430.T.....	30	21	32	63	33	12	25÷40	20	A.R.	A.R.	A.R.	-
-	N24450.T.....	50	36	41	83	55	29	25÷40	28÷30	A.R.	A.R.	A.R.	-

A.R. = Only upon customer's request. Minimum of 200 pieces.

