

# N241

## CONTROL KNOB WITH CAP AND THREADED HOLE INSERT



### Materials:

Reinforced polyamide.  
Resistant to oils and greases.

### Surface finish:

Satin.

### Colour:

Black (RAL 9011).

### Cap:

Central cap in grey polyamide (RAL 7035).

### Alternative cap colours:

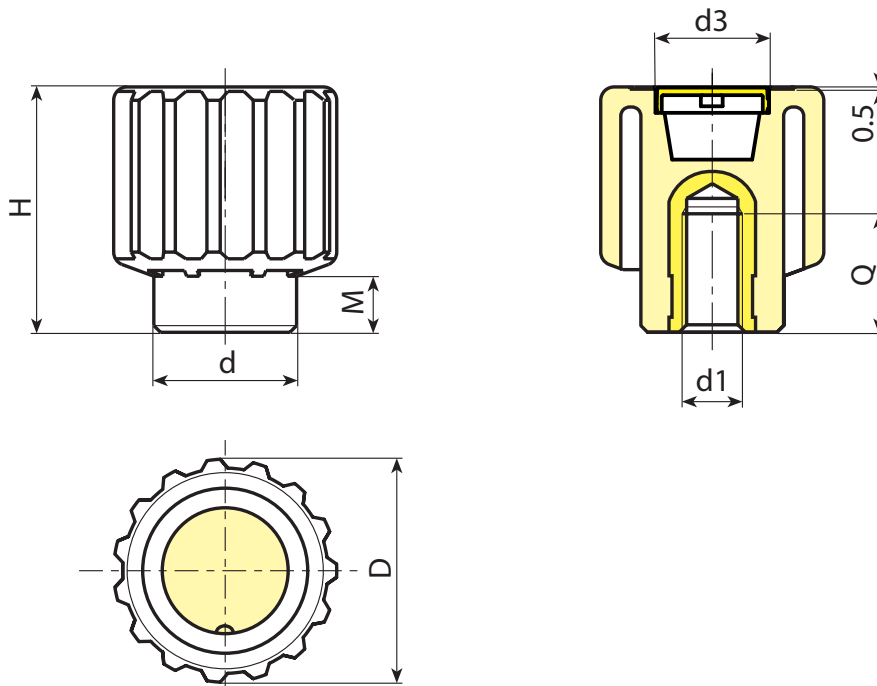
Orange (RAL 2004 code 02).  
Blue (RAL 5015 code 07).  
Yellow (RAL 1021 code 10).  
Red (RAL 3000 code 16).  
Green (RAL 6024 code 17).  
Black (RAL 9011 code 01).

### Inserts:

Brass insert with female threaded hole (thread tolerance 6H).  
(\*) Galvanised steel insert with female threaded hole (thread tolerance 6H).

### Special requests:

- Upon request and for special quantities inserts can be supplied in different materials.
- Upon request and for special quantities available in the colours indicated in the chart (attention: reduced range) [page 1].



Code	Art.	D	H	M	d	d3	d1 <sub>6H</sub>	Q	g
-	N24150.TM0801	50	55	13	32	34	M8	13	92
-	N24150.TM1001	50	55	13	32	34	M10	13	92
-	N24150.TM1201	50	55	13	32	34	M12	17	83
-	N24150.TM1401	50	55	13	32	34	M14	17	82
-	N24150.TM1601	50	55	13	32	34	M16(*)	16	96