

N240

CONTROL KNOB WITH METAL INSERT AND THROUGH HOLE



Materials:

Reinforced polyamide.
Resistant to oils and greases.

Surface finish:

Satin.

Colour:

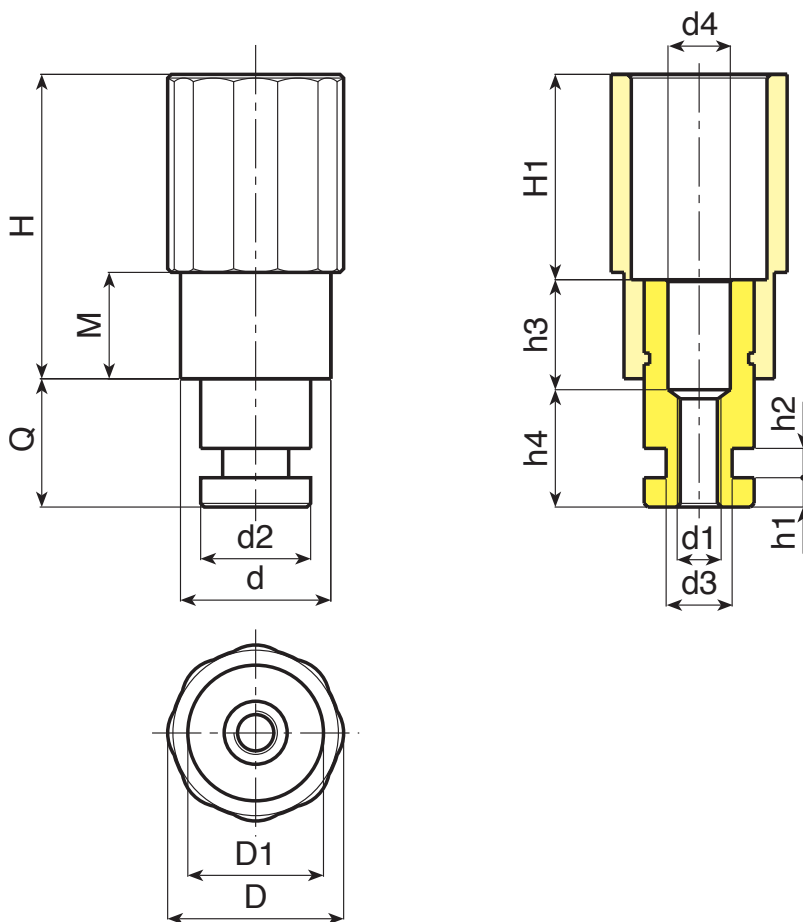
Black (RAL 9011).

Inserts:

Galvanised steel insert with threaded through hole and empty body top (6H thread tolerance).

Special requests:

- None.



Code	Art.	D	D1	d	H	H1	M	Q	d2	d1	d3	d4	h1	h2	h3	h4		
-	N24040.T.....01	39	21	32	63	33	12	25÷40	20	A.R.	A.R.	A.R.	A.R.	A.R.	A.R.	A.R.	A.R.	-
-	N24050.T.....01	48	36	41	83	55	29	25÷40	28÷30	A.R.	A.R.	A.R.	A.R.	A.R.	A.R.	A.R.	A.R.	-

A.R. = Only upon customer's request. Minimum of 200 pieces.