

M245

"EUROMODEL" REVOLVING HANDLE WITH RING NUT



Materials:

Reinforced polyamide.
Resistant to oils and greases.

Surface finish:

Satin.

Colour:

Black (RAL 9011).

Central Cap:

Grey polyamide (RAL 7035). 13).

Alternative Cap colours:

Orange (RAL 2004 code 02).
Blue (RAL 5015 code 07).
Yellow (RAL 1021 code 10).
Red (RAL 3000 code 16).
Green (RAL 6024 code 17).
Black (RAL 9011 code 01).

Revolving insert:

M245:

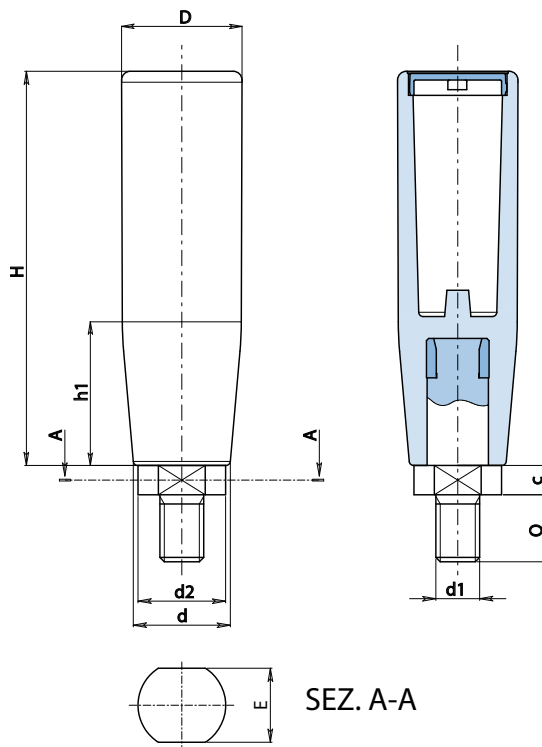
Revolving galvanised steel threaded stud, with ring nut with seat for key and brass rotating washer (thread tolerance 6g).

M245CIN:

Revolving stainless steel threaded stud (Aisi 303), with ring nut with seat for key and brass rotating washer (thread tolerance 6g).

Special requests:

- Upon request and for special quantities available in the colours indicated in the chart (attention: reduced range) [page].



Version M245: galvanised steel version.

Code	art.	H	D	d	d2	E	c	h1	d1 _{6g}	Q	
-	M24590.TM10X150113	90	27,5	22,5	18	16	7	35	M10	15	86
-	M24590.TM12X150113	90	27,5	22,5	18	16	7	35	M12	15	89

Version M245CIN: stainless steel version.

Code	art.	H	D	d	d2	E	c	h1	d1 _{6g}	Q	
-	M24590.TM10X150113CIN	90	27,5	22,5	18	16	7	35	M10	15	86
-	M24590.TM12X150113CIN	90	27,5	22,5	18	16	7	35	M12	15	89

INOX