

M240



“EUROMODEL” HANDLE WITH THREADED STUD

Materials:

Reinforced polyamide.
Resistant to oils and greases.

Surface finish:

Satin.

Colour:

Black (RAL 9011).

Central Cap:

Grey polyamide (RAL 7035). 13).

Alternative Cap colours:

Orange (RAL 2004 code 02).
Blue (RAL 5015 code 07).
Yellow (RAL 1021 code 10).
Red (RAL 3000 code 16).
Green (RAL 6024 code 17).
Black (RAL 9011 code 01).

Inserts:

Galvanised steel threaded stud (thread tolerance 6g).

Special Requests:

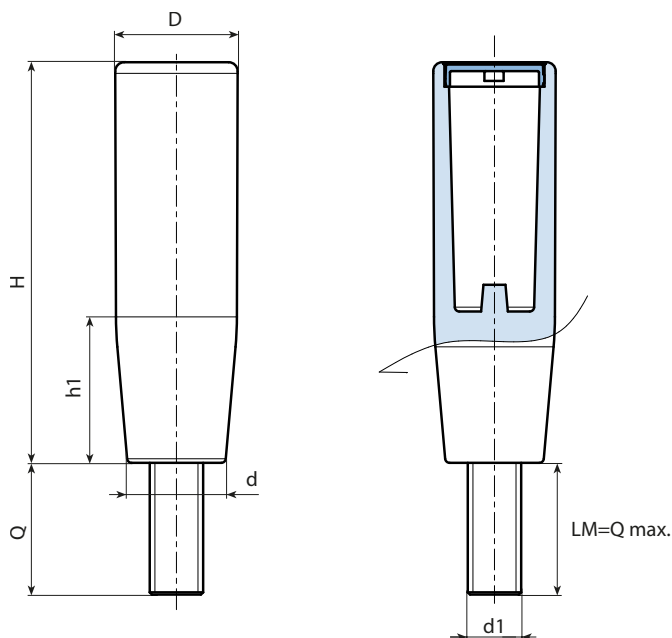
- Upon request and for special quantities inserts can be supplied with customised lengths.
- Upon request and for special quantities inserts can be supplied in different materials.
- Upon request and for special quantities available in the colours indicated in the chart (attention: reduced range) [page].

Studs lengths already setup on the mould:

For all threads:
10-15-20-25-30-35-40-45-50-55-60-65-70-75-80



M



Code	art.	H	D	d	h1	LM	d1 _{6g}	Q	g
-	M24090.TM08X100113	90	27,5	22,5	35	80	M8	10	65
-	M24090.TM08X150113	90	27,5	22,5	35	80	M8	15	66,5
-	M24090.TM10X100113	90	27,5	22,5	35	80	M10	10	70
-	M24090.TM10X200113	90	27,5	22,5	35	80	M10	20	75
-	M24090.TM12X200113	90	27,5	22,5	35	80	M12	20	83

Customised stud length available for a minimum of 100 pieces.
LM = Maximum mouldable length.