

M238



“EUROMODEL” HANDLE WITH THREADED HOLE

Materials:

Reinforced polyamide.
Resistant to oils and greases.

Surface finish:

Satin.

Colour:

Black (RAL 9011).

Central Cap:

Grey polyamide (RAL 7035). 13).

Alternative Cap colours:

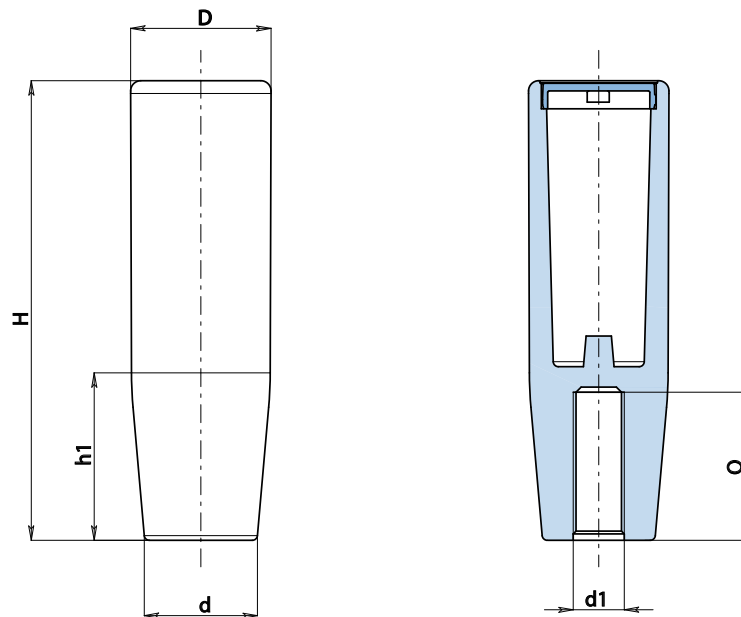
Orange (RAL 2004 code 02).
Blue (RAL 5015 code 07).
Yellow (RAL 1021 code 10).
Red (RAL 3000 code 16).
Green (RAL 6024 code 17).
Black (RAL 9011 code 01).

Hole:

Female threaded hole obtained by moulding the plastic (thread tolerance not applicable).

Special Requests:

- Upon request and for special quantities available in the colours indicated in the chart (attention: reduced range) [page].



Code	art.	H	D	d	h1	d1	Q	
-	M23890.TM080113	90	27,5	22,5	35	M8	29	41
-	M23890.TM100113	90	27,5	22,5	35	M10	29	39
-	M23890.TM120113	90	27,5	22,5	35	M12	29	37