

M229



“EUROMODEL” REVOLVING HANDLE WITH HEXAGONAL SOCKET STUD

Materials:

Reinforced polyamide.
Resistant to oils and greases.

Surface finish:

Satin.

Colour:

Black (RAL 9011).

Central Cap:

Grey polyamide (RAL 7035). 13).

Alternative Cap colours:

Orange (RAL 2004 code 02).
Blue (RAL 5015 code 07).
Yellow (RAL 1021 code 10).
Red (RAL 3000 code 16).
Green (RAL 6024 code 17).
Black (RAL 9011 code 01).

Revolving insert:

M229:

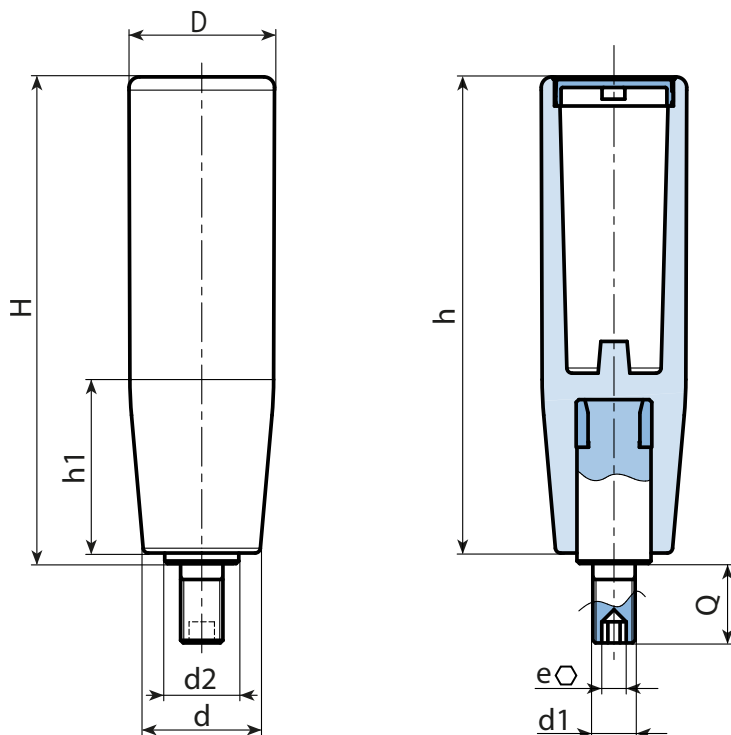
Revolving galvanised steel threaded stud, with hexagon socket head and brass washer (thread tolerance 6g).

M229CIN:

Revolving stainless steel threaded stud (Aisi 303), with hexagon socket head and brass washer (thread tolerance 6g).

Special requests:

- Upon request and for special quantities available in the colours indicated in the chart (attention: reduced range) [page].



Version M229: galvanised steel version.

Code	art.	H	D	d	d2	e	h	h1	d1 _{6g}	Q	g
-	M22990.TM10X150113	92,5	27,5	22,5	14	5	90	35	M10	15	78
-	M22990.TM12X150113	92,5	27,5	22,5	14	5	90	35	M12	15	82

Version M229CIN: stainless steel version.

Code	art.	H	D	d	d2	e	h	h1	d1 _{6g}	Q	g
-	M22990.TM10X150113CIN	92,5	27,5	22,5	14	5	90	35	M10	15	78
-	M22990.TM12X150113CIN	92,5	27,5	22,5	14	5	90	35	M12	15	82

INOX