

M204CIN

+135°
-30°

PA6
+G.F.

UL94
HB

RoHS
COMPLIANT

REVOLVING AND FOLDING HANDLE WITH ROUND STAINLESS STEEL BASE

INOX

Materials:

Reinforced polyamide.
Resistant to oils and greases.

Surface finish:

Satin.

Colour:

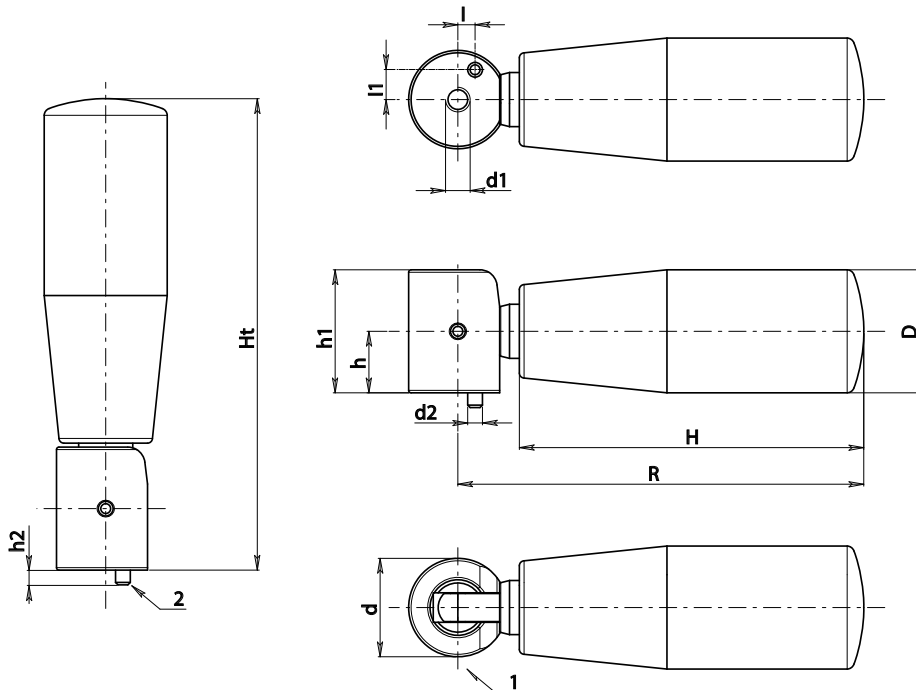
Black (RAL 9011).

Inserts:

- (1) Stainless steel revolving and folding mechanism (Aisi 303).
- (2) Stainless steel reference pin (Aisi 304) DIN 934.
- (3) Stainless steel spring (Aisi 302).

Special versions:

- Upon request and for special quantities available in the colours indicated in the chart [page].
- Upon request and for special quantities the insert can be supplied:
 - in black oxide treated steel (ZB at the end of the code),
 - in galvanised steel (CVZ at the end of the code),
 - in stainless steel Aisi 304 (CIH at the end of the code).



INOX

Code	art.	H	D	d	R	Ht	h	h1	h2	d1	d2	l	l1	g
-	M20470.TM0501CIN	70	25	20	83	96	12,5	25	3	M5	3	3,5	6,1	114
-	M20480.TM0501CIN	79	26	20	92,5	105	12,5	25	3	M5	3	3,5	6,1	145

M