

# M202



## "EUROMODEL" REVOLVING HANDLE WITH SCREW AND BUSH ADAPTER

### Materials:

Reinforced polyamide.  
Resistant to oils and greases.

### Surface finish:

Satin.

### Colour:

Black (RAL 9011).

### Central Cap:

(1) Grey polyamide (RAL 7035 code 13).

### Alternative Cap colours:

Orange (RAL 2004 code 02).  
Blue (RAL 5015 code 07).  
Yellow (RAL 1021 code 10).  
Red (RAL 3000 code 16).  
Green (RAL 6024 code 17).  
Black (RAL 9011 code 01).

### Inserts:

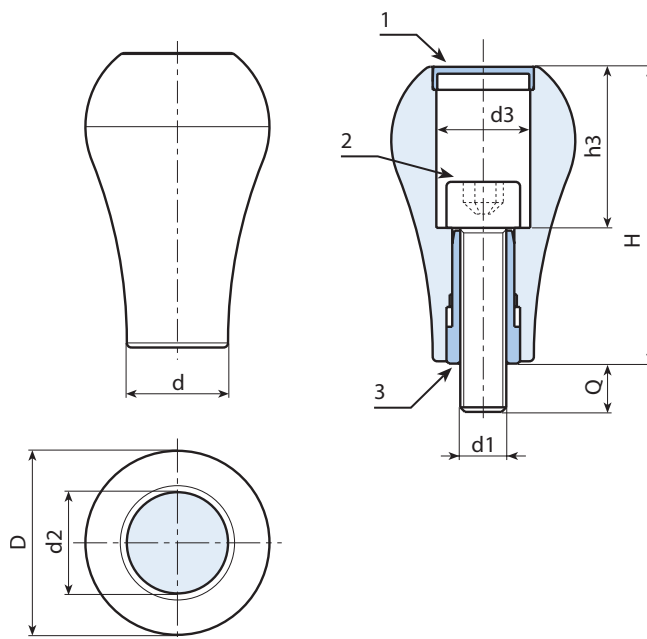
(2) Galvanised steel threaded screw DIN 912/UNI 5931.  
(3) Bored through bush adapter in galvanised steel.

### ATTENTION:

The handle is supplied unassembled and packaged separately.

### Special Requests:

- Upon request and for special quantities inserts can be supplied with customised lengths.
- Upon request and for special quantities inserts can be supplied in different materials.
- Upon request and for special quantities available in the colours indicated in the chart (attention: reduced range) [page ].



Code	art.	H	D	d	d <sub>2</sub>	d <sub>3</sub>	h <sub>3</sub>	d <sub>16g</sub>	Q	
-	M20264.TM08X1101Z1	64	40	22,5	22	20,5	34,5	M8	9	92
-	M20264.TM10X1101Z1	64	40	22,5	22	20,5	34,5	M10	10,5	97