

M151



REVOLVING HANDLE WITH FIXED SCREW AND HEXAGON SOCKET HEAD

Materials:

Reinforced polyamide.
Resistant to oils and greases.

Surface finish:

Satin.

Colour:

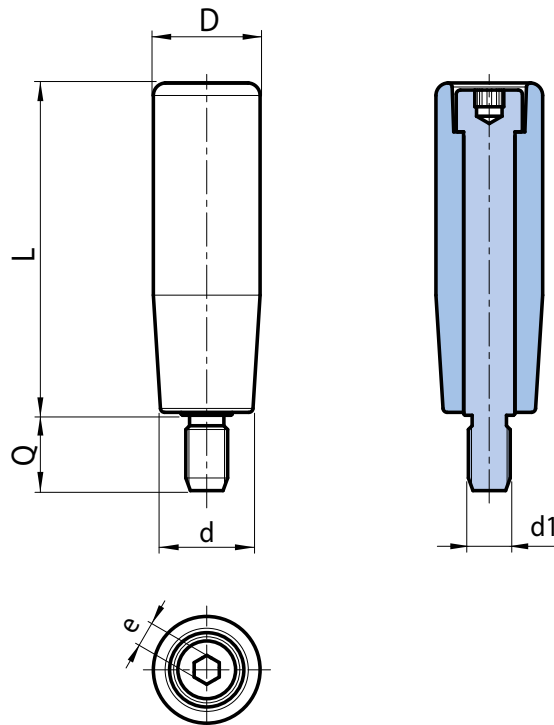
Black (RAL 9011).

Inserts:

Special turned nickel-plated steel screw, with partially threaded stud. Hexagon socket head (thread tolerance 6g).

Special Requests:

- Upon request and for special quantities inserts can be supplied in different materials.
- Upon request and for special quantities available in the colours indicated in the chart [page].



Code	art.	L	D	d	e	d1 _{6g}	Q	
-	M15150.TM08X1501H	50	19	17	5	M8	15	49
-	M15170.TM08X1701H	69	23,5	20	6	M8	17	79
-	M15170.TM10X1701H	69	23,5	20	6	M10	17	98
-	M15180.TM10X1801H	80	25,5	22	6	M10	18	119
-	M15190.TM10X1801H	90	27,5	24	8	M10	18	144