

# M146

## HANDLE WITH PUSH-FIT HOLE



### Materials:

Reinforced polyamide.  
Resistant to oils and greases.

### Surface finish:

Satin.

### Colour:

Black (RAL 9011).

### Hole:

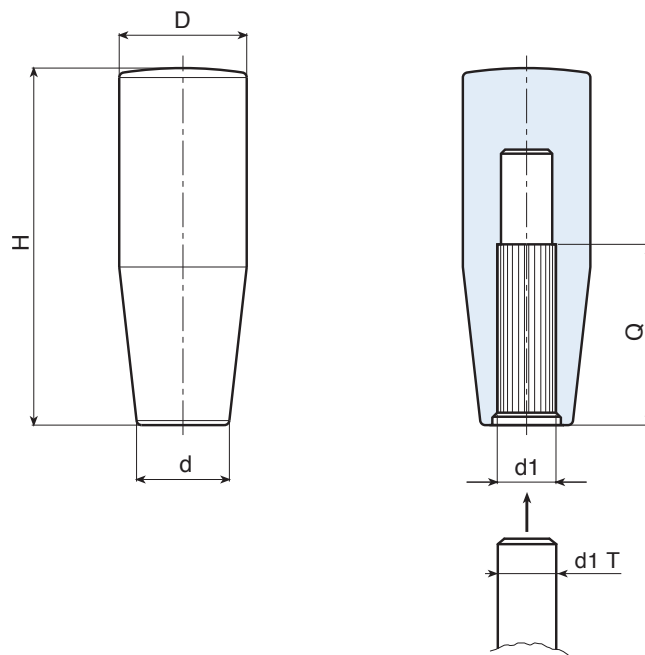
Blind smooth bore, with deformable fixing ribs, obtained by moulding the plastic.

### Fixing method:

Push-fit.

### Special Requests:

- Upon request and for special quantities available in the colours indicated in the chart [page].



Code	art.	H	D	d	d1 T	d1	Q	
-	M14650.TG0801	50,5	20	15	+0 -0,058	8	36	14
-	M14650.TG1001	50,5	20	15	+0 -0,058	10	35	12
-	M14660.TG0801	60,5	23,5	18	+0 -0,058	8	50	24
-	M14660.TG1001	60,5	23,5	18	+0 -0,058	10	50	20
-	M14660.TG1201	60,5	23,5	18	+0 -0,070	12	50	20
-	M14670.TG0801	70	25,5	18,5	+0 -0,058	8	50	32
-	M14670.TG1001	70	25,5	18,5	+0 -0,058	10	50	30
-	M14670.TG1201	70	25,5	18,5	+0 -0,070	12	50	28
-	M14680.TG1001	79,5	26	22	+0 -0,058	10	50	40
-	M14680.TG1201	79,5	26	22	+0 -0,070	12	50	38
-	M14680.TG1401	79,5	26	22	+0 -0,070	14	50	34
-	M14690.TG1201	89,5	28	23,5	+0 -0,070	12	70	46
-	M14690.TG1401	89,5	28	23,5	+0 -0,070	14	70	42