

# M144

## REVOLVING HANDLE WITH SCREW AND NUT



### Materials:

Reinforced polyamide.  
Resistant to oils and greases.

### Surface finish:

Satin.

### Colour:

Black (RAL 9011).

### Inserts:

#### M144:

(1) Threaded hexagonal socket head cap screw (TCCE) in black-oxyde treated steel DIN 912.

(2) Black-oxyde treated steel nut DIN 934.

#### M144CIN:

(1) Threaded hexagonal socket head cap screw (TCCE) in stainless steel (Aisi 304) DIN 912.

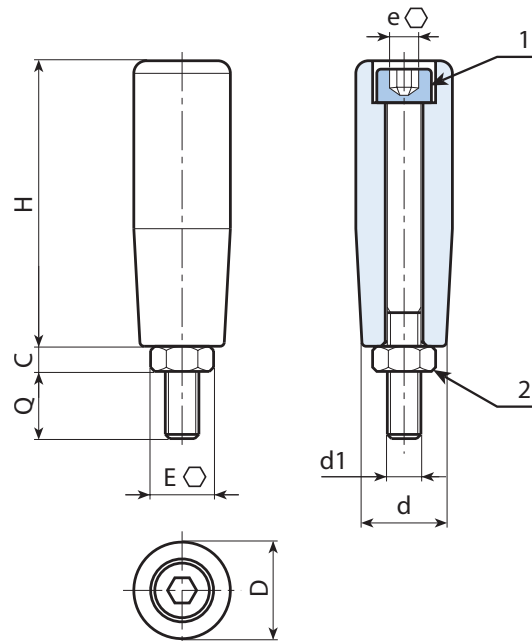
(2) Stainless steel nut (AISI 304) DIN 934.

### Special Requests:

- Upon request and for special quantities available in the colours indicated in the chart [page].



M



### Version M144: with black oxide treated steel inserts.

Code	art.	H	D	d	c	E	e	d1 <sub>ég</sub>	Q	
-	M14450.TM06X0901	49	19	17	5	10	5	M6	9	30
-	M14450.TM08X1401	49	19	17	6,5	13	6	M8	14	32
-	M14460.TM08X1501	59	21	19	6,5	13	6	M8	14,5	56
-	M14470.TM08X1601	68,5	23,5	20	6,5	17	8	M8	15,5	68
-	M14470.TM10X1601	68,5	23,5	20	8	17	8	M10	16	92
-	M14480.TM10X1501	79	25,5	22	8	17	8	M10	15	110
-	M14490.TM12X1701	89,5	27,5	24	7	19	10	M12	18	150

### Version M144CIN: with stainless steel inserts (Aisi 304).

INOX

Code	art.	H	D	d	c	E	e	d1 <sub>ég</sub>	Q	
-	M14450.TM06X1401CIN	49	19	17	5	10	5	M6	14	30
-	M14450.TM08X1401CIN	49	19	17	6,5	13	6	M8	14	32
-	M14460.TM08X1501CIN	59	21	19	6,5	13	6	M8	14,5	56
-	M14470.TM08X1601CIN	68,5	23,5	20	6,5	17	8	M8	15,5	68
-	M14470.TM10X1601CIN	68,5	23,5	20	8	17	8	M10	16	92
-	M14480.TM10X1501CIN	79	25,5	22	8	17	8	M10	15	110
-	M14490.TM12X1701CIN	89,5	27,5	24,5	7	19	10	M12	18	150