

# M139

## HANDLE WITH SMOOTH BORE



**Materials:**

Reinforced polyamide.  
Resistant to oils and greases.

**Surface finish:**

Satin.

**Colour:**

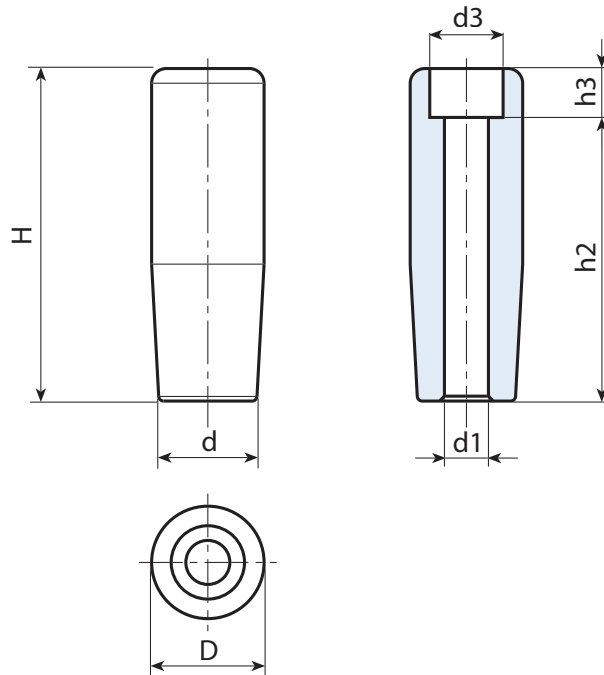
Black (RAL 9011).

**Hole:**

Smooth through bore obtained by moulding the plastic (tolerance not applicable).

**Special Requests:**

- Upon request and for special quantities available in the colours indicated in the chart [page ].



Code	art.	H	D	d	h2	h3	d1	d3	g
-	M13950.TG06.501	49	19	17	41,5	7,5	6,5	11,5	13
-	M13950.TG08.501	49	19	17	41,5	7,5	8,5	11,5	10
-	M13960.TG06.501	59	21	19	51	8	6,5	12	23
-	M13960.TG08.501	59	21	19	49	10	8,5	14	20
-	M13970.TG08.501	68,5	23,5	20	58	10,5	8,5	14	28
-	M13970.TG10.501	68,5	23,5	20	56	12,5	10,5	17	25
-	M13980.TG10.501	79	25,5	22	67	12,5	10,5	17	38
-	M13990.TG08.501	89,5	27,5	24	80	9,5	8,5	14	46
-	M13990.TG12.501	89,5	27,5	24	75,5	14	12,5	19	42