

M138

HANDLE WITH THREADED HOLE



Materials:

Reinforced polyamide.
Resistant to oils and greases.

Surface finish:

Satin.

Colour:

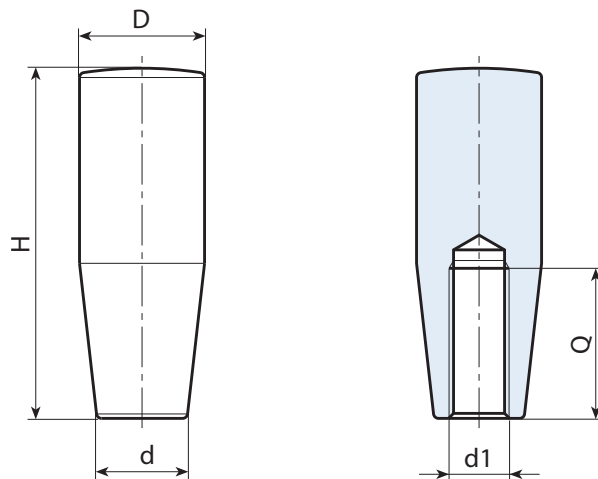
Black (RAL 9011).

Hole:

Female threaded hole obtained by moulding the plastic
(thread tolerance not applicable).

Special Requests:

- Upon request and for special quantities available in the colours indicated in the chart [page].



M

Code	art.	H	D	d	d1	Q	⚠
-	M13827.TM0401	27	14	11,5	M4	15	6
-	M13827.TM0501	27	14	11,5	M5	15	5
-	M13827.TM0601	27	14	11,5	M6	15	5
-	M13840.TM0501	40	18,5	15,5	M5	25	10
-	M13840.TM0601	40	18,5	15,5	M6	25	10
-	M13840.TM0801	40	18,5	15,5	M8	25	10
-	M13850.TM0601	50,5	20	15	M6	25	16
-	M13850.TM0801	50,5	20	15	M8	25	14
-	M13850.TM1001	50,5	20	15	M10	25	14
-	M13860.TM0801	60,5	23,5	18	M8	28	24
-	M13860.TM1001	60,5	23,5	18	M10	28	24
-	M13860.TM1201	60,5	23,5	18	M12	28	22
-	M13870.TM0801	70	25	19	M8	30	34
-	M13870.TM1001	70	25	19	M10	30	32
-	M13870.TM1201	70	25	19	M12	30	28
-	M13880.TM0801	79	26	21,5	M8	30	40
-	M13880.TM1001	79	26	21,5	M10	30	38
-	M13880.TM1201	79	26	21,5	M12	30	36
-	M13880.TM1401	79	26	21,5	M14	30	34
-	M13890.TM0801	89,5	28	23,5	M8	50	58
-	M13890.TM1001	89,5	28	23,5	M10	50	54
-	M13890.TM1201	89,5	28	23,5	M12	50	50
-	M13890.TM1401	89,5	28	23,5	M14	50	46
-	M138110.TM1001	109	32,5	27	M10	50	105
-	M138110.TM1201	109	32,5	27	M12	50	104
-	M138110.TM1401	109	32,5	27	M14	50	100