

L808



“EUROMODEL” WING NUT WITH SMOOTH THROUGH BORE WITHOUT CAP

MODELLO DEPOSITATO

Materials:

Reinforced polyamide.
Resistant to oils and greases.

Surface finish:

Satin.

Colour:

Black (RAL 9011).

Inserts:

L808:

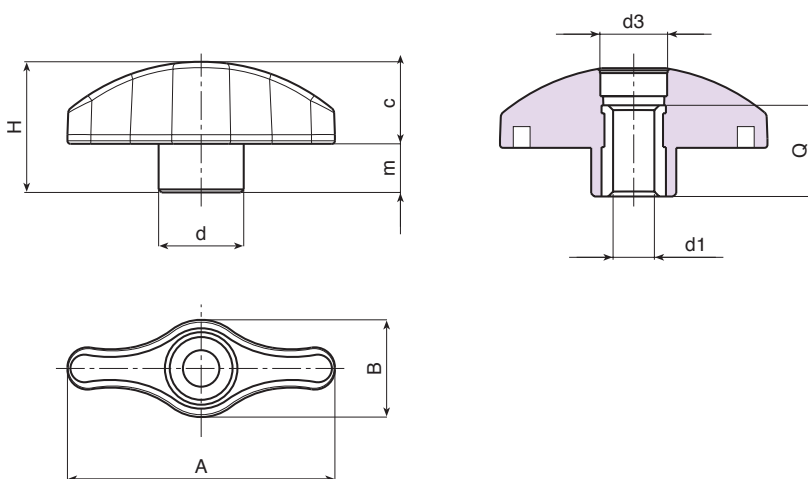
Brass insert with smooth through bore (bore tolerance H9).

L808PIN:

Galvanised steel insert with smooth through bore (Aisi 303) (bore tolerance H9).

Special requests:

- Upon request and for special quantities inserts can be supplied in different materials.
- Upon request and for special quantities available in the colours indicated in the chart (attention: reduced range) [page].



Version L808: standard brass insert.

Code	art.	A	B	H	m	c	d	d3	d1 _{H9}	Q	g
-	L80844.TD0501	44	16	21.5	8	14	14	10	5	15	8
-	L80844.TD0601	44	16	21.5	8	14	14	10	6	15	8
-	L80844.TD0801	44	16	21.5	8	14	14	10	8	15	9
-	L80852.TD0501	52	19	25.5	9.5	16.5	17	13	5	18	13
-	L80852.TD0601	52	19	25.5	9.5	16.5	17	13	6	18	13
-	L80852.TD0801	52	19	25.5	9.5	16.5	17	13	8	18	14
-	L80852.TD1001	52	19	25.5	9.5	16.5	17	13	10	18	15
-	L80867.TD0601	67	24	32	11	21.5	21	16	6	18	24
-	L80867.TD0801	67	24	32	11	21.5	21	16	8	18	24
-	L80867.TD1001	67	24	32	11	21.5	21	16	10	18	25
-	L80867.TD1201	67	24	32	11	21.5	21	16	12	18	25

Version L808PIN: stainless steel insert (Aisi 303).

Code	art.	A	B	H	m	c	d	d3	d1 _{H9}	Q	g
-	L80844.TD0601PIN	44	16	21.5	8	14	14	10	6	15	8
-	L80852.TD0801PIN	52	19	25.5	9.5	16.5	17	13	8	18	14
-	L80867.TD1001PIN	67	24	32	11	21.5	21	16	10	18	25

INOX