

L755



LARGE WING NUT WITH INSERT AND THREADED THROUGH HOLE

Materials:

Reinforced polyamide.
Resistant to oils and greases.

Surface finish:

Satin.

Colour:

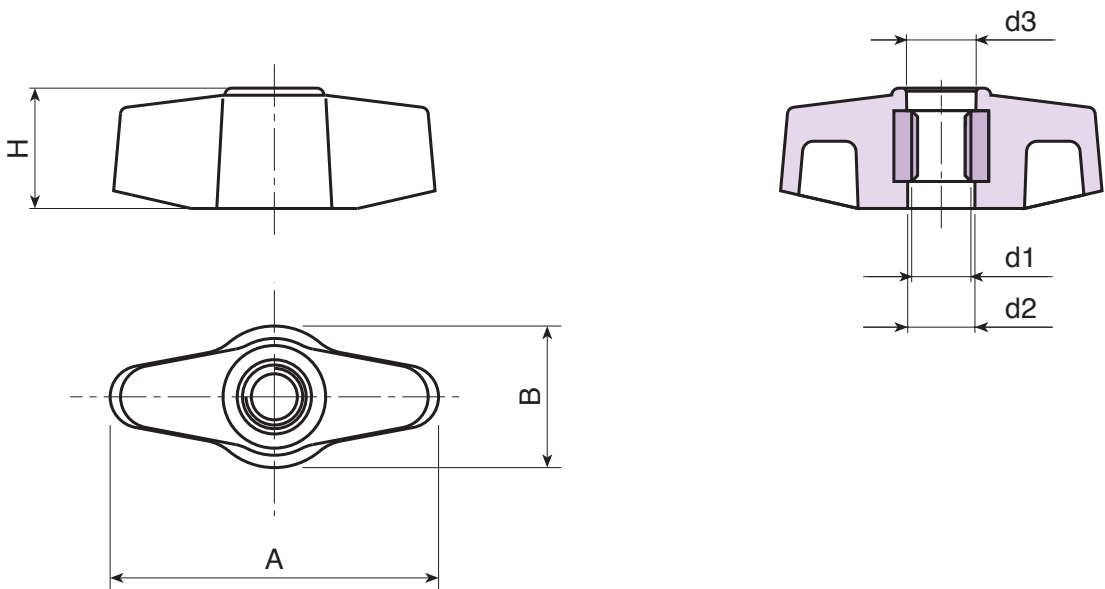
Black (RAL 9011).

Inserts:

Galvanised steel insert with threaded through hole (thread tolerance 6H).

Special Requests:

- Upon request and for special quantities inserts can be supplied in different materials.
- Upon request and for special quantities available in the colours indicated in the chart (attention: reduced range) [page].



Code	Art.	A	B	H	d2	d3	d1 _{6H}	
-	L75548.TM0601	45	20	17	9.5	10	M6	17
-	L75548.TM0801	45	20	17	9.5	10	M8	16